

---

## Bulb End Design - Casement Window Stay - Polished Brass (Lacquered)

### Product Images

---



## Description

---

- Bulb end pattern traditional style casement window stay.
- A casement stay is the handle or arm that fixes to the bottom of the window to help push the window open and pull the window closed.
- The casement arm sits on pins which makes the window "stay" in position when in the open or closed position.

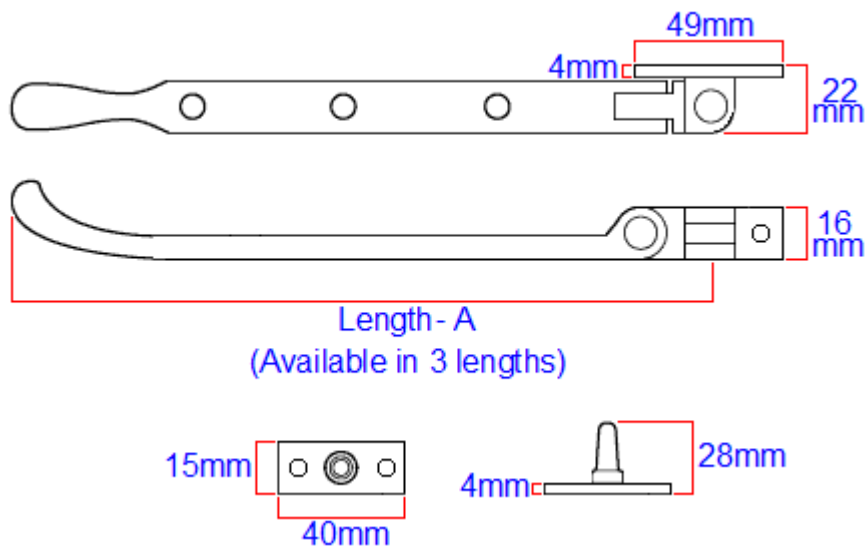
### Base Material

- Brass.

### Finish

- Polished brass - (shiny finish).

### Dimensions



Available in three lengths - (size **A** on above diagram).

- 202mm - (8 inches)
- 254mm - (10 inches)
- 305mm - (12 inches)

### Important Info Before You Buy

- Suitable for use on timber windows.
- Suits standard outward opening casement windows.
- Comes supplied with fixing screws and pins.
- Matching window fastener also available - 21730.1.

## Products in this set

---



21729.2 - Bulb End Design - Casement Window Stay - Polished Brass (Lacquered) - 202mm - (8 Inches) - Each



21729.3 - Bulb End Design - Casement Window Stay - Polished Brass (Lacquered) - 254mm - (10 Inches) - Each



21729.1 - Bulb End Design - Casement Window Stay - Polished Brass (Lacquered) - 305mm - (12 Inches) - Each