

---

## Pivoting Roller Stay For Fanlight Windows - Polished Chrome

### Product Images

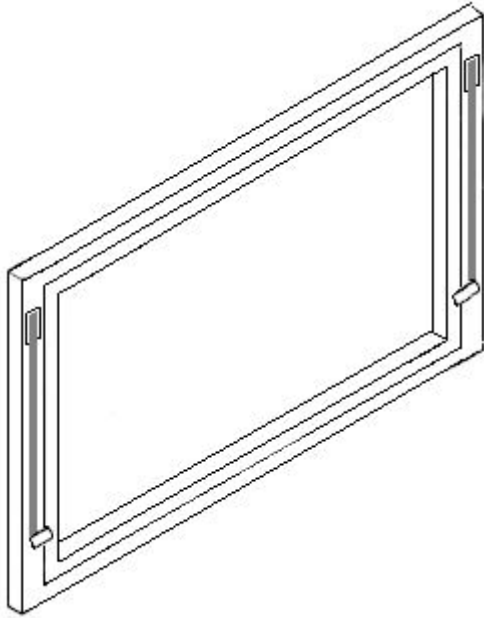
---



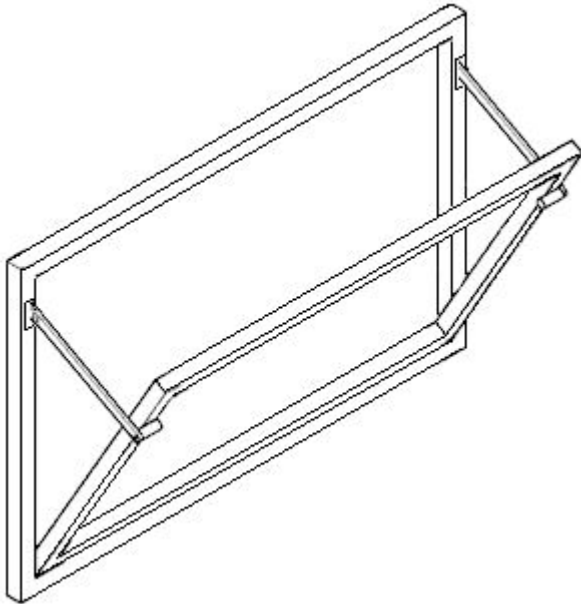
### Description

---

- Pivoting roller stay for bottom hinged, inward opening fanlight windows
- Architectural quality
- Roller stay "rolls" up and down the window as it opens and closes
- When the fanlight window is in the closed position the roller stay lies flat against the window - SEE BELOW DIAGRAM



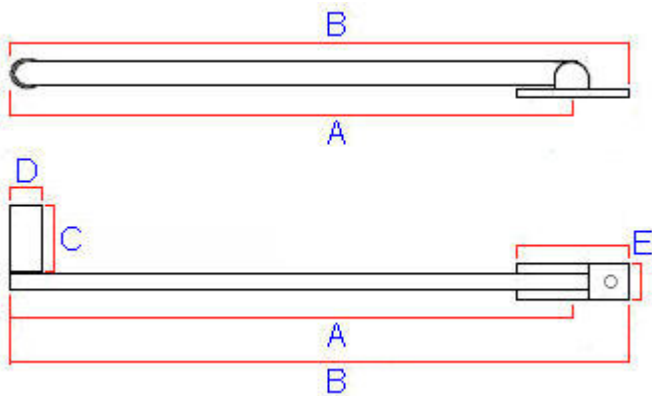
- When the fanlight window is in the open position the roller projects from the frame to restrict and support the fanlight window - SEE BELOW DIAGRAM



**Finish**

- Polished chrome

**Dimensions**



21757.1

Dimension On Diagram

<b>Length Of Roller Stay</b>	154mm	A
<b>Overall Length</b>	167mm	B
<b>Length Of Roller</b>	18mm	C
<b>Diameter Of Roller</b>	16mm	D
<b>Back Plate - Width x Height</b>	14mm x 40mm	C

**Important Info Before You Buy**

- Normally two roller stays are required per window - SOLD INDIVIDUALLY - (per one)

**Products in this set**

---



21757.1 - Pivoting Roller Stay For Fanlight Windows - Polished Chrome - Standard Roller - 18mm - Each