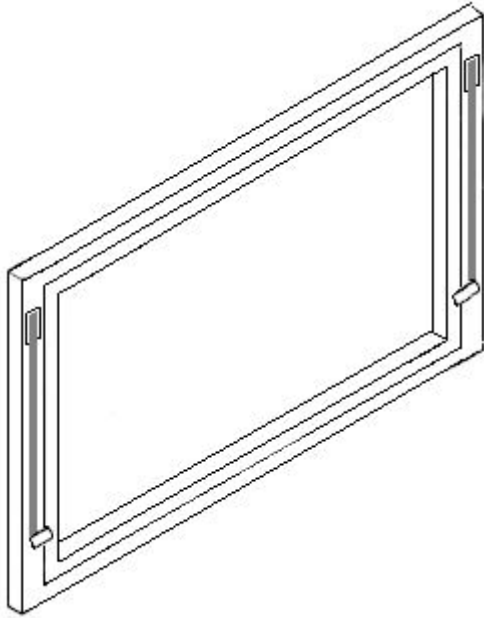

Pivoting Roller Stay For Fanlight Windows - Polished Brass (Lacquered)

Product Images

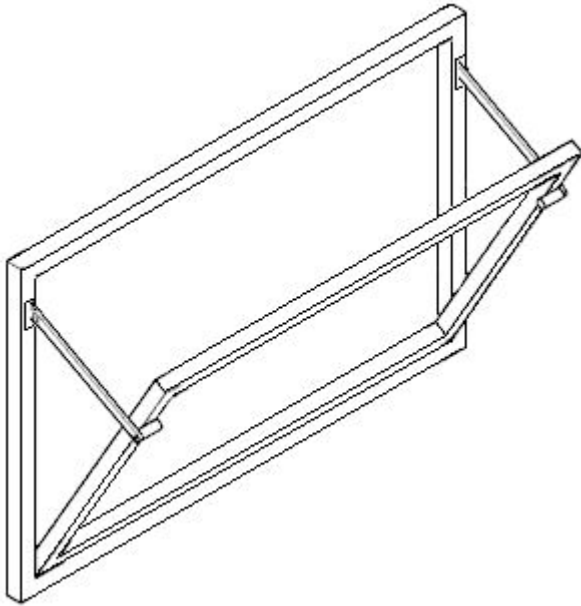


Description

- Pivoting roller stay for bottom hinged, inward opening fanlight windows
- Architectural quality
- Roller stay "rolls" up and down the window as it opens and closes
- When the fanlight window is in the closed position the roller stay lies flat against the window - SEE BELOW DIAGRAM



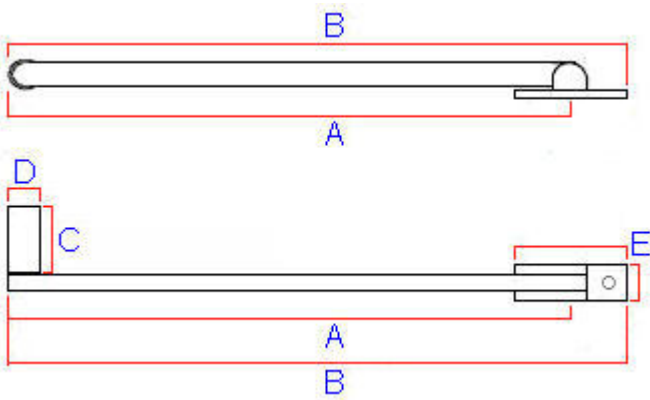
- When the fanlight window is in the open position the roller projects from the frame to restrict and support the fanlight window - SEE BELOW DIAGRAM



Finish

- Polished brass

Dimensions



21758.1

Dimension On Diagram

Length Of Roller Stay

154mm

A

Overall Length	167mm	B
Length Of Roller	18mm	C
Diameter Of Roller	16mm	D
Back Plate - Width x Height	14mm x 40mm	C

Important Info Before You Buy

- Normally two roller stays are required per window - SOLD INDIVIDUALLY - (per one)

Products in this set



21758.1 - Pivoting Roller Stay For Fanlight Windows - Polished Brass (Lacquered) - Standard Roller - 18mm - Each