
Architectural Quality - Fanlight Window Catch - Polished Brass (Lacquered)

Product Images



Description

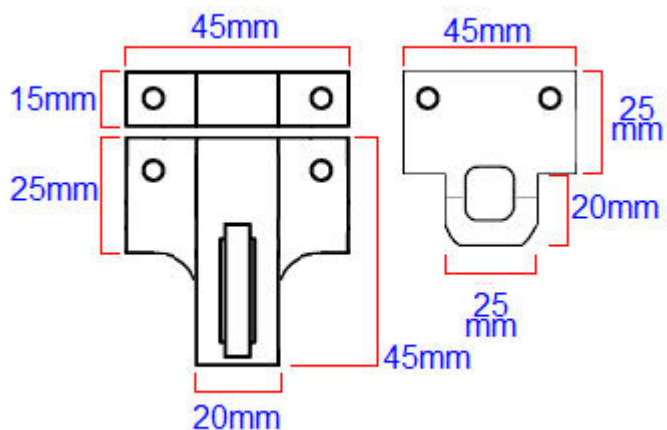
- Spring loaded fan light window catch
- Architectural quality
- For use on bottom hung, inward opening fanlight windows
- Fitted with 29mm diameter ring pull for easy finger operation
- If the fan light window is fitted out of arms reach, for example in a high or awkward position a Pole Hook can be used to pull the ring to release

the catch

Finish

- Polished Brass

Dimensions



- Back Plate - 45mm (W) x 45mm (H)
- Staple Receiver Plate - 45mm (W) x 15mm (H)
- Flat Receiver Plate - 45mm (W) x 25mm (H)

Important Info Before You Buy

- Suitable for bottom hung inward opening wooden fan light windows
- Comes supplied with two options of receiver plates
 - Staple style receiver plate shown in above image (45mm x 15mm)
 - Flat plate style receiver plate shown in above image (45mm x 25mm)
- Sold individually

Products in this set



21763.1 - Architectural Quality - Fanlight Window Catch - Polished Brass (Lacquered) - Each