
**Circular Flush Pull Handle With Semi Circle Half Moon Grip - Tested For Use On FD30 Fire Doors -
Polished Stainless Steel**

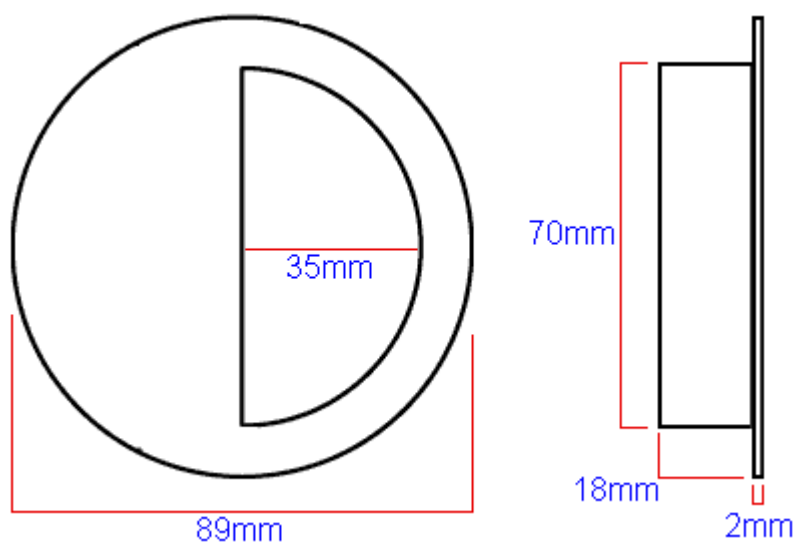
Product Images



Description

- Contemporary design circular shape flush fitting, inset pull handle with half moon grip ideal for use with sliding doors.
- Made from stainless steel this item is a polished (shiny) finish.
- Available in one size only - 89mm diameter.
- This item has to be morticed (cut) into the door to allow it to fit flush.
- Suitable for use on full height sliding doors, wardrobe doors and cupboard doors.
- Sleek minimal look thanks to discreet fixings. - (This item is fixed via wood screws from inside the recess.)
- Test for use on FD30 timber fire doors (please check test evidence of your fire door for compatibility).

Size Details



Item Code	Diameter	Opening Size	Recess Depth	Recess Diameter	Backplate Thickness
21822.1	89mm	35mm	18mm	70mm	2mm

Base Material

- Made from stainless steel.

Finish Details

- Polished stainless steel.

Alternative Finishes Available

- Satin stainless steel - (Brushed finish)

Fixings

- This handle is fitted via 2 x wood screws inside the recess of the handle.
- Screws are supplied with this item.
- To fit this handle completely flush a minimum door thickness of 18mm is required.

Unit Of Sale

- This item is sold individually - (Each)

Products in this set



21822.1 - Circular Flush Pull Handle With Semi Circle Half Moon Grip - Tested For Use On FD30 Fire Doors - 89mm Diameter - Polished Stainless Steel - Each