
Floor Mounted Door Stop - 35mm x 40mm - Satin Stainless Steel

Product Images



Description

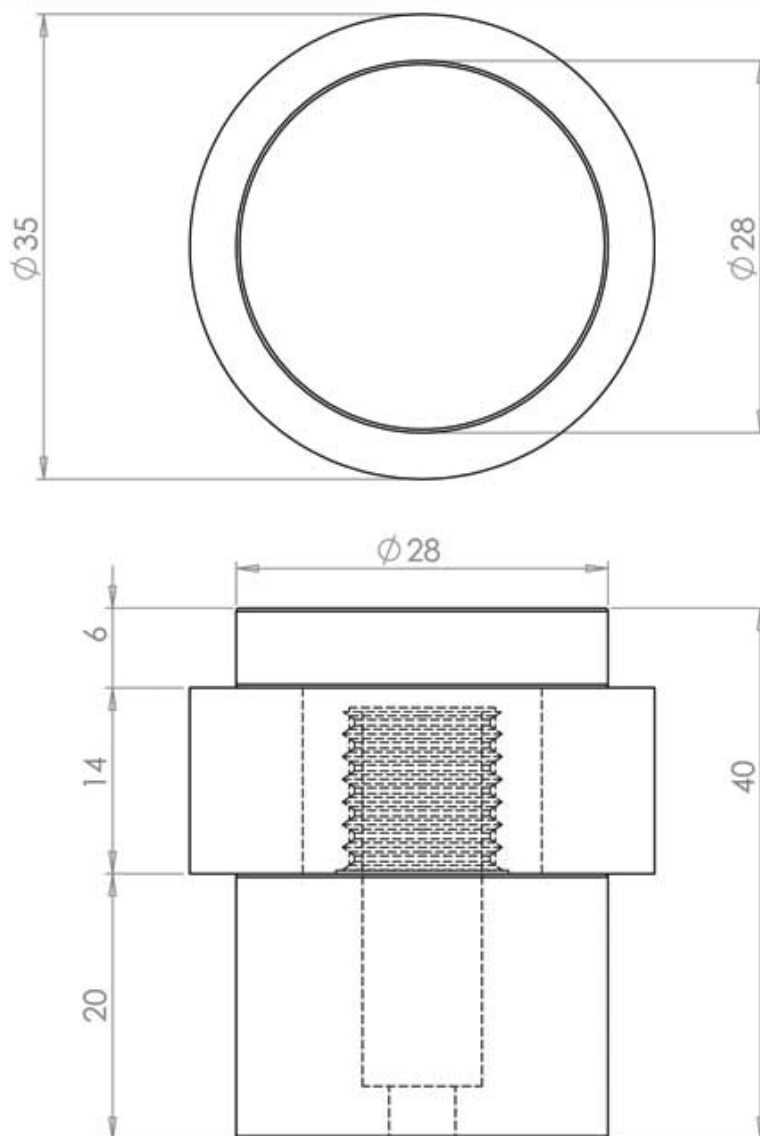
- Floor mounted door stop
- Two part design allows for concealed fixing
- Plain head with black rubber ring
- Designed to stop doors from hitting a wall when opened too far

Finish Details

- Satin Stainless Steel

Size Details

- 40mm height
- 35mm Diameter



Fixings

- Two part design allows for concealed fixing with a single fixing screw

Usage

- Suitable for residential use
- Suitable for internal use

Unit Of Sale

- Sold individually (each)

Products in this set



30506.1 - Floor Mounted Door Stop - 35mm x 40mm - Satin Stainless Steel - Each