

## Press To Open Push Catch With Buffer - For Use With Sprung Blum Hinges - Surface Mounted Or Drill In (Recess Mounted) Touch Latch

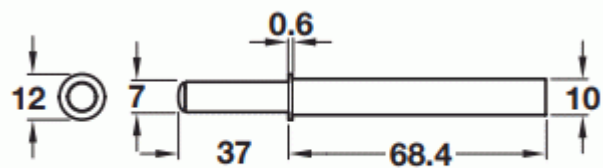
### Product Images



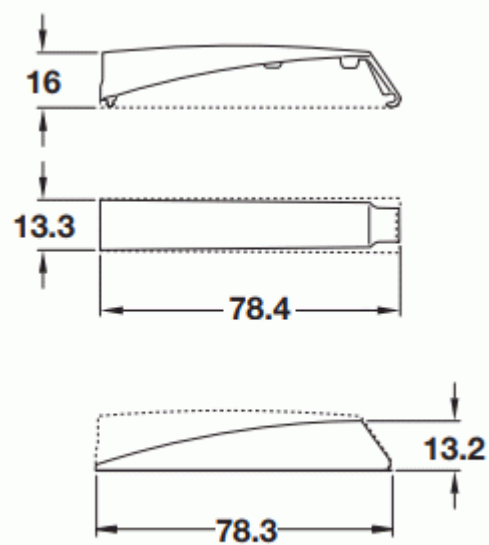
### Description

- Heavy sprung pressure catch for use on cabinet and cupboard doors with no handles.
- Dual fixing options - surface mounted or concealed drill-in.
- This strong powerful touch latch has been specially developed for use with sprung style concealed kitchen hinges (Blum style hinges).
- The door is automatically opened by simply applying pressure to the door itself, thus activating the release spring in the fitting.
- Light finger pressure on the door is sufficient to close it again. No receiver plate is needed as the sprung hinges fitted to the cabinet will keep the door held closed.
- This spring catch can be use on overlay or inset doors.
- Concealed fixings, this item is sold with a mounting plate that is screwed to the sides or top / bottom of the cabinet door frame. The catch then clips onto the mounting plate hiding the fixing screws.
- Supplied as two part item 1 x touch latch and 1 x surface mounted housing.
- PLEASE NOTE - This touch latch is only suitable for use with **sprung** blum style kitchen hinges.
- Ideal for use on kitchen cabinet doors, wardrobes and cupboard doors.

## Dimensions



**Touch Latch Section**



**Surface Mounted Housing**

## Base Material

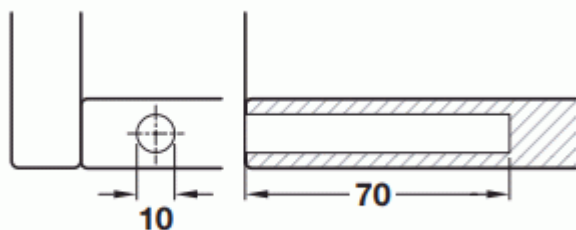
- Plastic

## Finish Details

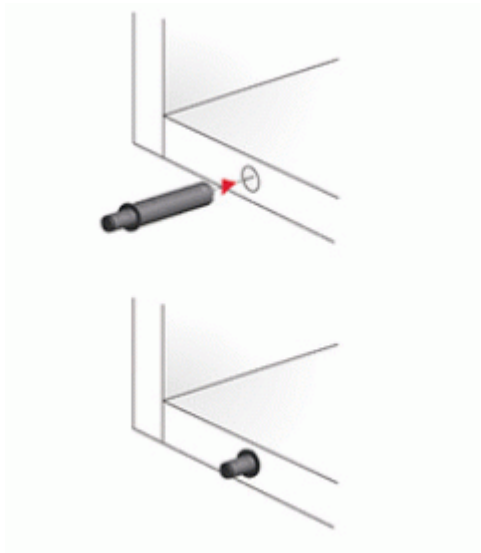
- Grey plastic casing.

## Fixings

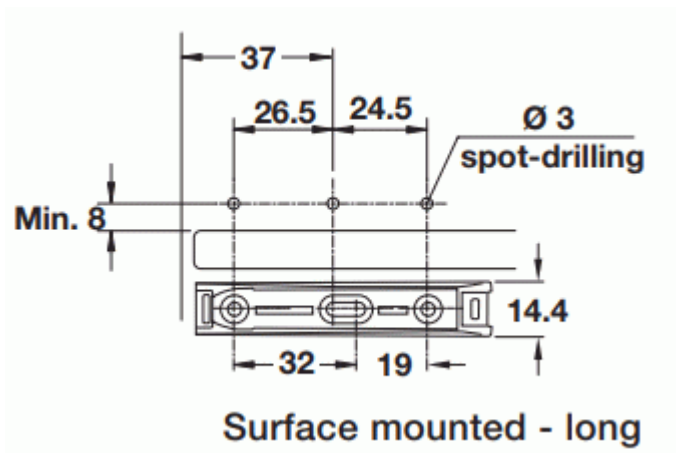
- This touch latch can be recessed into the carcass for concealed fixing by drilling a 10mm diameter x 70mm long hole.



**Recess mounted - long**

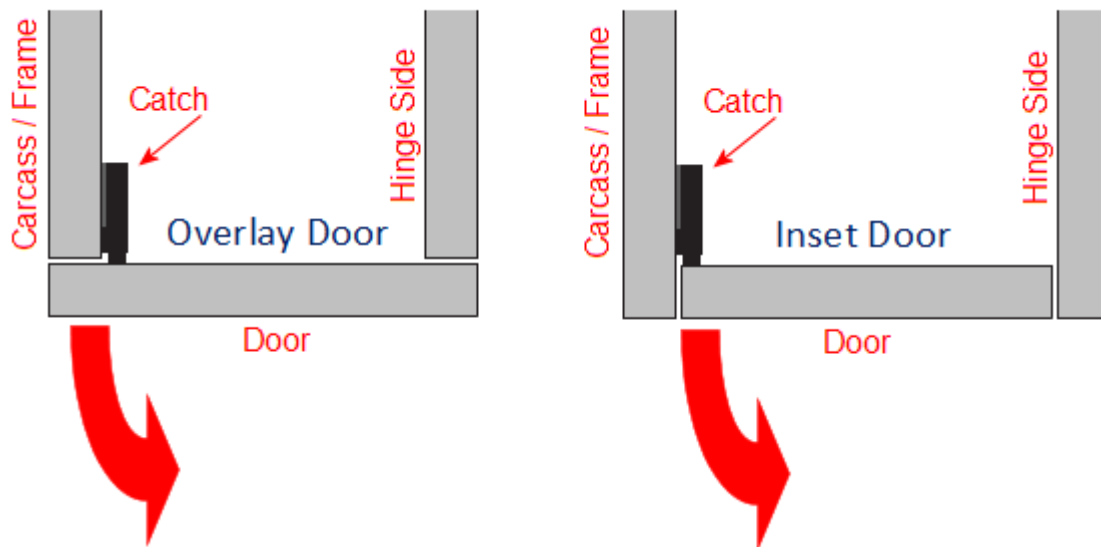


- This touch latch can also be surface mounted by using the supplied housing.



## Usage

- Suitable for use on overlay doors (doors that sit on top of the carcass or frame.)
- Suitable for use on inset doors (doors that sit inside that carcass or door frame.)



- Please note this touch latch is best used with **sprung** blum style kitchen hinges. (a sprung blum hinge "snaps" the door closed).
- The door must be able to be pushed inwards by a minimum of 1.8mm for the spring to release.

## Unit Of Sale

- Sold individually - (Each)
- Supplied with optional surface mounted housing plate.

## Products in this set



30568.1 - Tubular Style Press To Open Pressure Catch With Buffer - For Use With Sprung Blum Hinges - Grey - Each