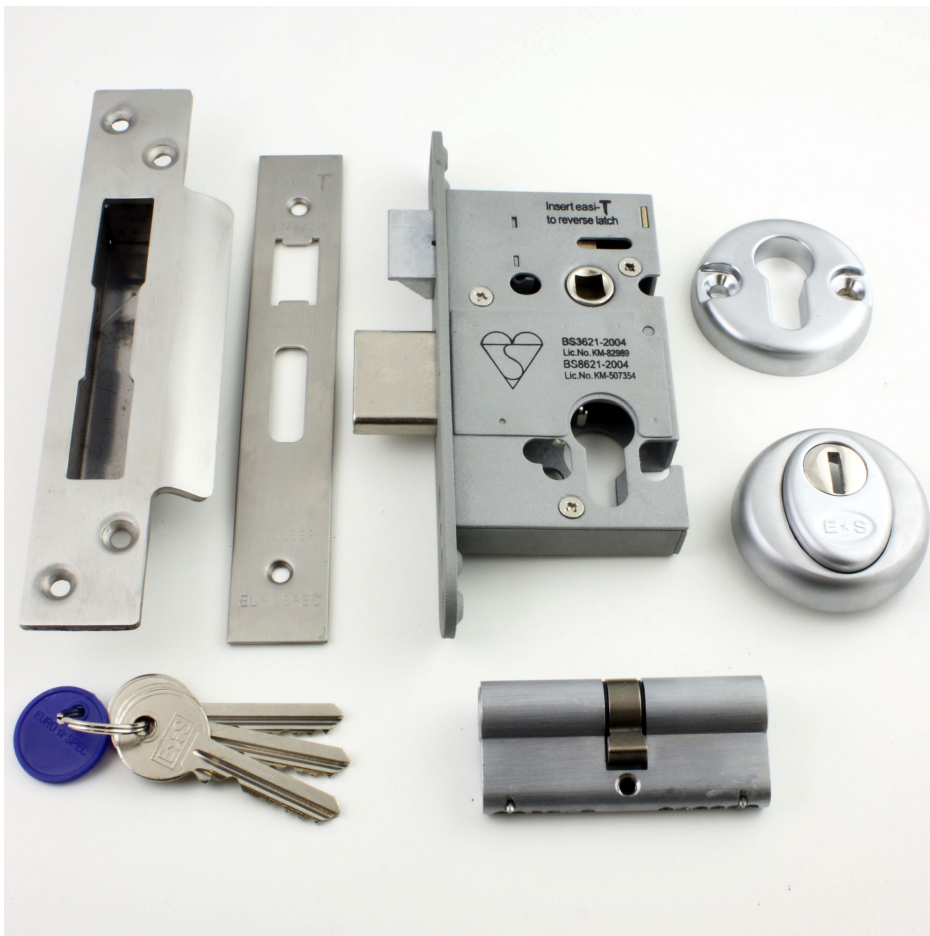


Euro Profile Cylinder Sash Lock - Key / Key Operated BS 3621 Rated - Satin Chrome - Suitable For Use With FD30 / FD60 Fire Doors

Product Images





Description

- Euro profile British Standard rated cylinder sash lock with key operation both sides of the door.
- Kite marked security lock for external doors. Tested to the British standard BS 3621.
- Door can be locked and unlocked from both sides of the door via a key.
- Insurance approved, BS 3621 rated.
- Complete set comes supplied with 1x mortice lock, 1x 70mm euro profile 6 pin cylinder and 2x security escutcheons.
- Satin stainless steel with satin chrome plated security escutcheons.
- Police preferred specification - Secured By Design (SBD) approved with anti-pick and anti-drill pins.
- Mortice lock available in two sizes 64mm or 76mm (case depth).
- Supplied with 3 keys

Operation

- Latch is withdrawn via a lever handle from either side of the door (handles sold separately).
- Deadbolt is locked and un-locked via a Euro profile cylinder (sold separately).
- Key / key double cylinder - key operation from outside side (secure side) and key operation from the inside of the door (non secure side).
- Comes supplied with 3 keys and a cylinder fixing screws.
- Key differed - if ordering more than one, the cylinders will come with different keys.
- Suitable for use on timber doors.

Features

- Heavy duty lock case and stainless steel striker plate for the door frame.
- Solid stainless steel deadbolt and latch.
- Dual latch springing - spring strength can be adjusted on site to suit sprung or un-sprung lever furniture.
- Bolt through facility for bolt together fixing of lever handles and accessories at 38mm centers.

- Solid investment cast 8mm x 8mm spindle follower (to suit standard UK size spindles).
- 20mm bolt throw with a single turn of a key.
- 10 year mechanical guarantee as standard.
- Patented Easi-T latch reversal mechanism. - Latch can be reversed on site without taking the lock case apart.
- Reversible strike plate.
- Supplied with security escutcheons.

Security Level

- 6 pin BS rated cylinder tested to BS EN 1303.
- Stainless steel deadbolt with 20mm throw.
- Police preferred specification - Secured By Design (SBD) approved.
- Special anti-pick pins inside cylinder.
- Anti-drill with stainless steel hardened inserts in cylinder housing and plug.
- Anti-drill, anti-hammer and anti-snap security escutcheons.
- High security, suitable for use on external front doors.

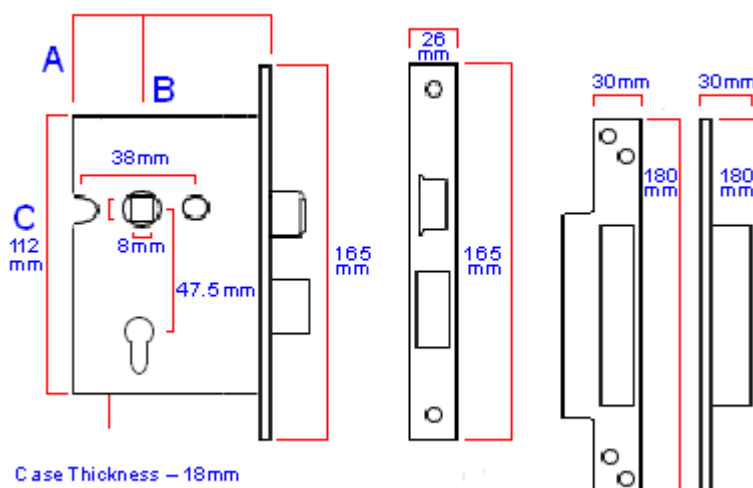
Finish

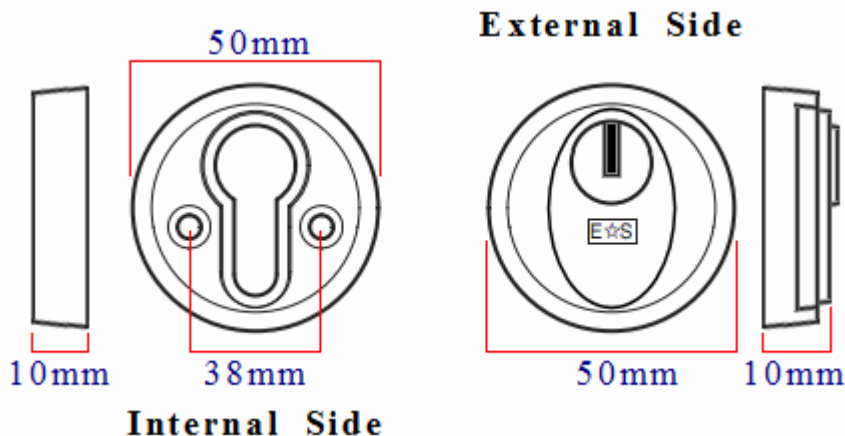
- Satin stainless steel - (brushed finish).

Alternative Finishes Available

- Polished stainless steel.
- PVD brass.

Dimensions





Item Code Lock Case Depth (A) Backset To Keyhole (B) Cylinder Length

30886.1	64mm	44mm	70mm
30886.2	76mm	57mm	70mm

Standards This Product Conforms To

- Police preferred specification - Secured By Design (SBD) approved.
- Kite marked - This lock set meets the current British standard for locks fitted to external doors, including front doors to flats.
- Insurance approved lock.
- Meets fire regulations for locking front doors to flats in multi-dwelling buildings. (In an emergency situation the user can always escape and unlock the door without the use of a key).
- Tested and passed to BS 3621:2007.** The British standard requirements and test methods covering thief resistant lock assemblies with key egress (key egress - operating the lock via key from the inside of the door). ****To meet this British standard the lock must be fitted with the supplied 6 pin cylinder and supplied security escutcheons.**
- Lock case tested and passed to BS EN 12209. The British / European standard requirements and test methods covering locks and latches. Classification number - **2H810F7BA20**.
- 6 pin cylinder tested and passed to BS EN 1303. The British / European standard requirements and test methods covering cylinders for locks. Classification number - **16010C62**.
- Tested and passed to BS EN 1634 the British / European standard for determining the fire resistance of door and shutter assemblies including hardware. Assessed for use on 30 minute and 1 hour timber fire doors FD30 / FD60.
- CE Marked / UKCA Marked.
- Declaration of performance (DoP) - ***please see the additional information tab to download the certificate.***

Options Available To Order

- **Keyed Alike (KA)** - A batch of cylinders all under the same one key.
- **Under Master Key (UMK)** - A batch of cylinders all under different keys with one master key which operates any of the cylinders.
- Please contact us for more information and lead times and prices for the above options.

Rebate Kits For Double Rebated Doors

- ARB5305SSSS - 13mm satin stainless steel rebate kit for euro profile BS rated cylinder sash lock.

Unit Of Sale

- Set - (1x Sash Lock, 1x Cylinder 2x Security Escutcheons)

Products in this set



30886.1 - BS 8621 Euro Cylinder Sash Lock - Key / Key - 64mm Case Depth - (44mm Backset) - Tested For Use With FD30 / FD60 Fire Doors - Satin Chrome - Each



30886.2 - BS 8621 Euro Cylinder Sash Lock - Key / Key - 76mm Case Depth (57mm Backset) - Tested For Use With FD30 / FD60 Fire Doors - Satin Chrome - Each