

**Euro Cylinder Deadlock - Key / Thumb-Turn Operated BS8621 Rated - CE / UKCA Marked - Fire Rated  
- Certifire Approved - Satin Chrome**

**Product Images**





## Description

---

- Euro profile British Standard rated cylinder deadlock with internal thumb-turn operation.
- Kite marked security lock for front doors. Tested to the British standard BS 8621.
- Keyless egress (door can be locked and unlocked from the inside without the use of a key).
- Meets fire regulations for locking front doors to flats in multi-dwelling buildings. (In an emergency situation the user can always escape and unlock the door without the use of a key).
- Insurance approved, BS 8621 rated.
- Key operation from the outside and thumb-turn operation from inside of the door via Euro profile key / turn cylinder.
- Complete set comes supplied with 1x mortice lock, 1x 70mm euro profile 6 pin cylinder and 2x security escutcheons.
- Satin stainless steel finish with satin chrome plated security escutcheons.
- Police preferred specification - Secured By Design (SBD) approved with anti-pick and ant-drill pins.
- Mortice lock available in two sizes 64mm or 76mm (case depth).
- Supplied with 3 keys

## Operation

- Key / Turn double cylinder - key operation from outside side (secure side) and thumb turn operation from the inside of the door (non secure side).
- The door can be locked and un-locked by turning the thumb turn knob from the inside of the door or via key on the outside of the door.
- Comes supplied with 3 keys and a cylinder fixing screw.
- Key differed - if ordering more than one, the cylinders will come with different keys.
- Suitable for use on timber doors.

## Features

- Heavy duty lock case and stainless steel receiver plate for the door frame.
- Solid stainless steel deadbolt and latch.

- 20mm bolt throw with a single turn of a key.
- 10 year mechanical guarantee as standard.
- Supplied with security escutcheons.

## Security Level

- 6 pin BS rated cylinder tested to BS EN 1303.
- Stainless steel deadbolt with 20mm throw.
- Police preferred specification - Secured By Design (SBD) approved.
- Special anti-pick pins inside cylinder.
- Anti-drill with stainless steel hardened inserts in cylinder housing and plug.
- Anti-drill, anti-hammer and anti-snap security escutcheons.
- High security, suitable for use on external front doors.
- **Note** If fitting a thumb turn cylinder to a front or back door be aware that if a burglar were to break any glass in the door they could in theory reach down to thumb turn and unlock the mortice lock.

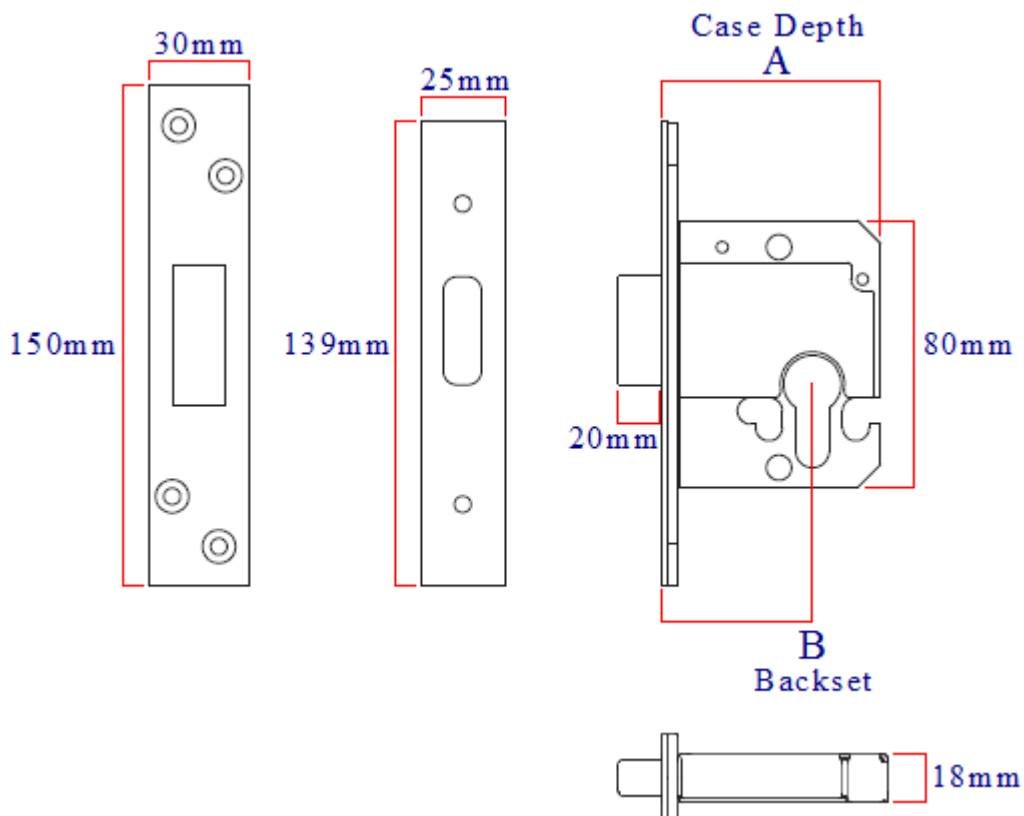
## Finish

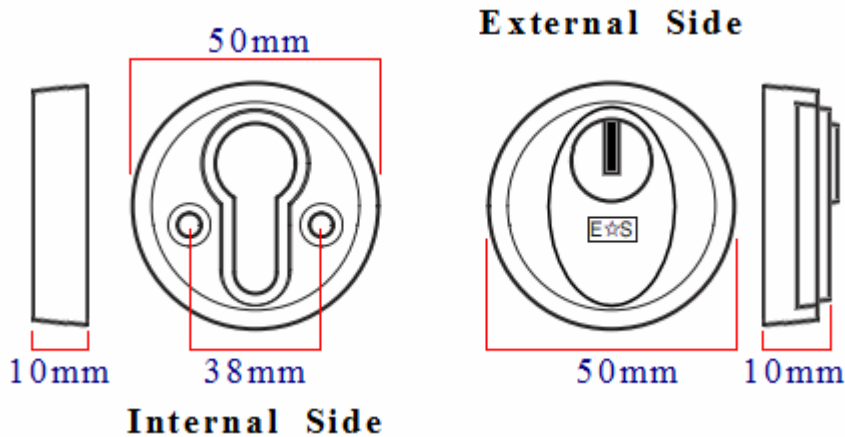
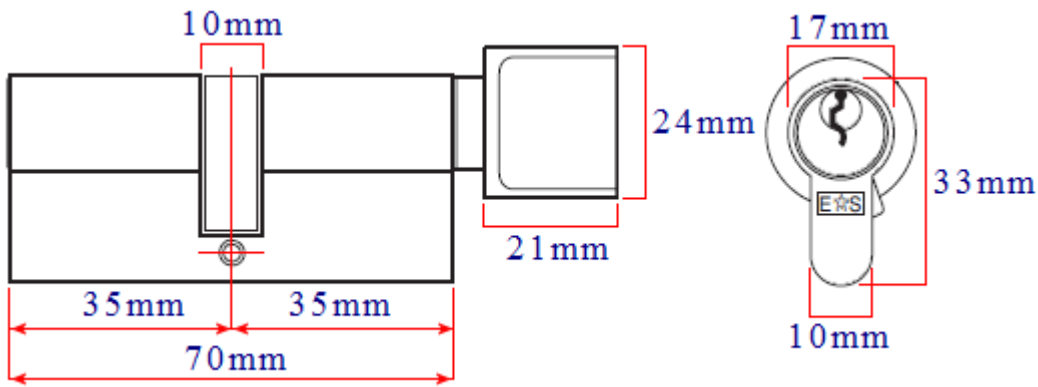
- Satin stainless steel - (satin chrome plated security escutcheons).

## Alternative Finishes Available

- Polished stainless steel
- PVD brass

## Dimensions





Item Code Lock Case Depth (A) Backset To Keyhole (B) Cylinder Length

30889.1	64mm	44mm	70mm
30889.2	76mm	57mm	70mm

## Standards This Product Conforms To

- Police preferred specification - Secured By Design (SBD) approved.
- Kite marked - This lock set meets the current British standard for locks fitted to external doors, including front doors to flats.
- Insurance approved lock.
- Meets fire regulations for locking front doors to flats in multi-dwelling buildings. (In an emergency situation the user can always escape and unlock the door without the use of a key).
- Tested and passed to BS 8621:2007.\*\* The British standard requirements and test methods covering thief resistant lock assemblies with keyless egress (keyless egress - operating the lock with out a key from the inside of the door. In this instance via a thumb-turn). **\*\*To meet this British standard the lock must be fitted with the supplied 6 pin cylinder and supplied security escutcheons.**
- Lock case tested and passed to BS EN 12209. The British / European standard requirements and test methods covering locks and latches. Classification number - **2H810F7BA00**.
- 6 pin cylinder tested and passed to BS EN 1303. The British / European standard requirements and test methods covering cylinders for locks. Classification number - **16010C62**.
- Tested and passed to BS EN 1634 the British / European standard for determining the fire resistance of door and shutter assemblies including hardware. Assessed for use on 30 minute and 1 hour timber fire doors FD30 / FD60.
- CE Marked / UKCA Marked.
- Declaration of performance (DoP) - *please see the additional information tab to download the certificate.*

## Options Available To Order

- **Keyed Alike (KA)** - A batch of cylinders all under the same one key.

- **Under Master Key (UMK)** - A batch of cylinders all under different keys with one master key which operates any of the cylinders.
- Please contact us for more information and lead times and prices for the above options.

## Rebate Kits For Double Rebated Doors

- ARB5405SSS - 13mm satin stainless steel rebate kit for Eurospec euro profile BS rated cylinder dead lock.

## Unit Of Sale

- Set - (1x Dead Lock, 1x Cylinder 2x Security Escutcheons)

### Products in this set

---



**30889.1 - BS8621 Euro Cylinder Escape Deadlock - CE / UKCA Marked - Fire Rated - Certifire Approved - Key / Thumbturn - 64mm Case Depth (44mm Backset) - Satin Chrome**



**30889.2 - BS8621 Euro Cylinder Escape Deadlock - CE / UKCA Marked - Fire Rated - Certifire Approved - Key / Thumbturn - 76mm Case Depth (57mm Backset) - Satin Chrome**