

---

## Architectural Quality DIN Style Euro Profile Mortice Deadlock - CE / UKCA Marked - Fire Rated - Certifire Approved - Satin Stainless Steel

### Product Images

---



### Description

---

- 30894.1 - DIN standard mortice dead lock.
- Brushed satin stainless steel finish.
- Case size 150mm x 85mm.
- 60mm backset
- Satisfies BS 8300 and Approved Doc M (ADM). - Suitable for use in public and commercial buildings.
- For use on doors that need to be locked only and do not require a pair of lever door handles.

- Must be used in conjunction with a Euro profile cylinder (sold separately).
- Comes supplied with satin (brushed) stainless steel forend and frame mounted strike plate.

## Operation

- Dead lock operated via a Euro profile cylinder (sold separately).
- One single turn of the key or thumbturn on the Euro cylinder will completely throw the 20mm dead bolt.

## Features

- Heavy duty lock case and stainless steel striker plate for the door frame.
- Solid stainless steel deadbolt.
- Bolt through facility for bolt together fixing of lever handles and accessories at 38mm centers.
- 10 year mechanical guarantee as standard.
- 20mm bolt throw with a single turn of a key.
- Reversible and adjustable strike plate.
- Complete with black plastic frame box keep to sit behind the strike plate.

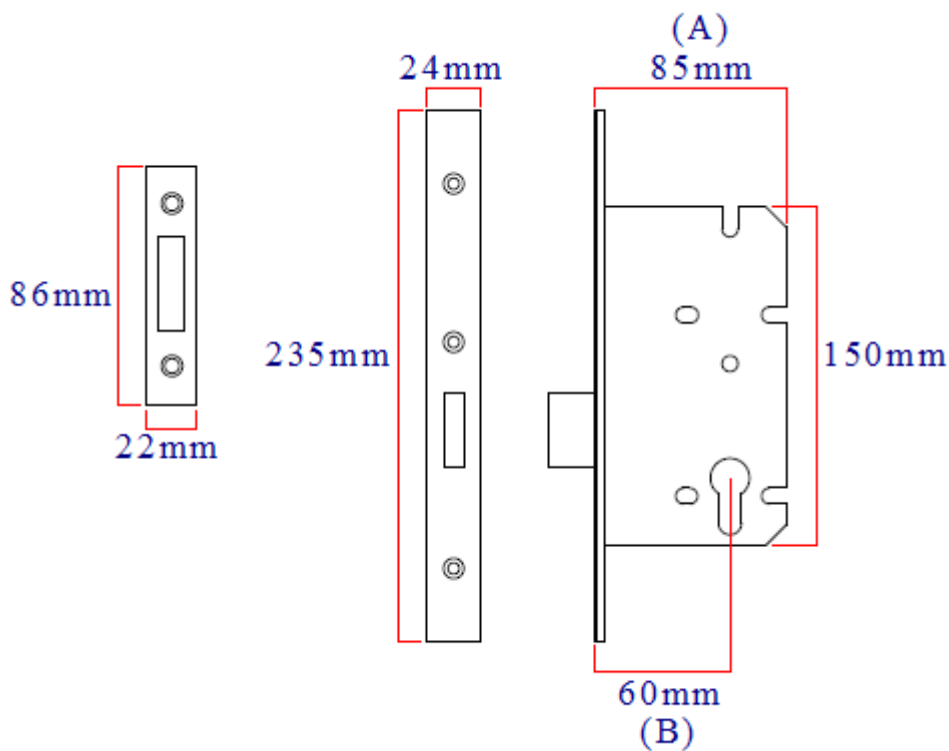
## Finish

- Satin stainless steel - (brushed finish).

## Alternative Finishes Available

- Polished stainless steel
- PVD Brass finish

## Dimensions



Item Code Lock Case Depth (A) Backset To Keyhole (B) Case Height

30894.1 85mm 60mm 150mm

## Standards This Product Conforms To

- Lock case tested and passed to BS EN 12209. The British / European standard requirements and test methods covering locks and latches. Classification number - **3M810F3BA00**.
- Tested and passed to BS EN 1634 the British / European standard for determining the fire resistance of door and shutter assemblies including hardware. Assessed for use on 30 minute and 1 hour timber fire doors FD30 / FD60.- Intumescent lock case liners required (sold separately).
- Certifire approved.
- CE Marked / UKCA Marked.
- Declaration of performance (DoP) - *please see the additional information tab to download the certificate.*

## Options Available To Order

- This lock is also available to order with radius (rounded shape) forend and strike plates. Please contact us for lead times and prices.
- Intumescent lock case liners to suit the E\*S DIN standard lock range are available. Please see our intumescent fire rated products category.

## Rebate Kit For Double Rebated Doors

- 40835.1 - 13mm satin stainless steel rebate kit for use with DIN lock.

## Unit Of Sale

- Each - (1 x lock case supplied with forend, strike plate and black plastic back box).

Products in this set

---



30894.1 - Architectural Quality DIN Style Euro Profile Mortice Deadlock - CE / UKCA Marked - Fire Rated - Certifire Approved - 85mm Case Depth (60mm Backset) - Satin Stainless Steel