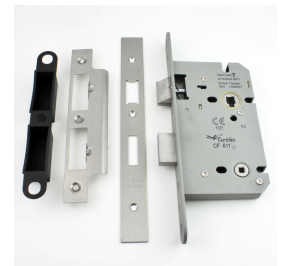

Architectural Quality DIN Style Bathroom Mortice Lock - CE / UKCA Marked - Fire Rated - Certifire Approved - Satin Stainless Steel

Product Images



Description

- 30906.1 - DIN standard bathroom mortice lock.
- 5mm follower for use with standard UK bathroom snib turn & release systems
- Brushed satin stainless steel finish.
- Case size 150mm x 85mm.
- 60mm backset with 78mm centers between the lever spindle hole and the bathroom spindle hole.
- Satisfies BS 8300 and Approved Doc M (ADM). - Suitable for use in public and commercial buildings.

- For use on bathroom and WC doors that require lever door handles and need to be locked via a snib turn & release system.
- Comes supplied with satin (brushed) stainless steel forend and frame mounted strike plate.

Operation

- Latch is withdrawn via a lever handle from either side of the door. (handles sold separately).
- Deadbolt is thrown and withdrawn (locked & unlocked) via a bathroom snib turn & emergency release set (sold separately).
- Suitable for use on inward or outward opening doors.

Features

- Heavy duty lock case and stainless steel striker plate for the door frame.
- Solid stainless steel latch and deadbolt.
- Dual latch springing - spring strength can be adjusted on site to suit sprung or un-sprung lever furniture.
- Bolt through facility for bolt together fixing of lever handles and accessories at 38mm centers.
- Solid investment cast spindle followers.
- 10 year mechanical guarantee as standard.
- Patented Easi-T latch reversal mechanism. - Latch can be reversed on site without taking the lock case apart.
- Reversible and adjustable strike plate.
- Complete with black plastic frame box keep to sit behind the strike plate.

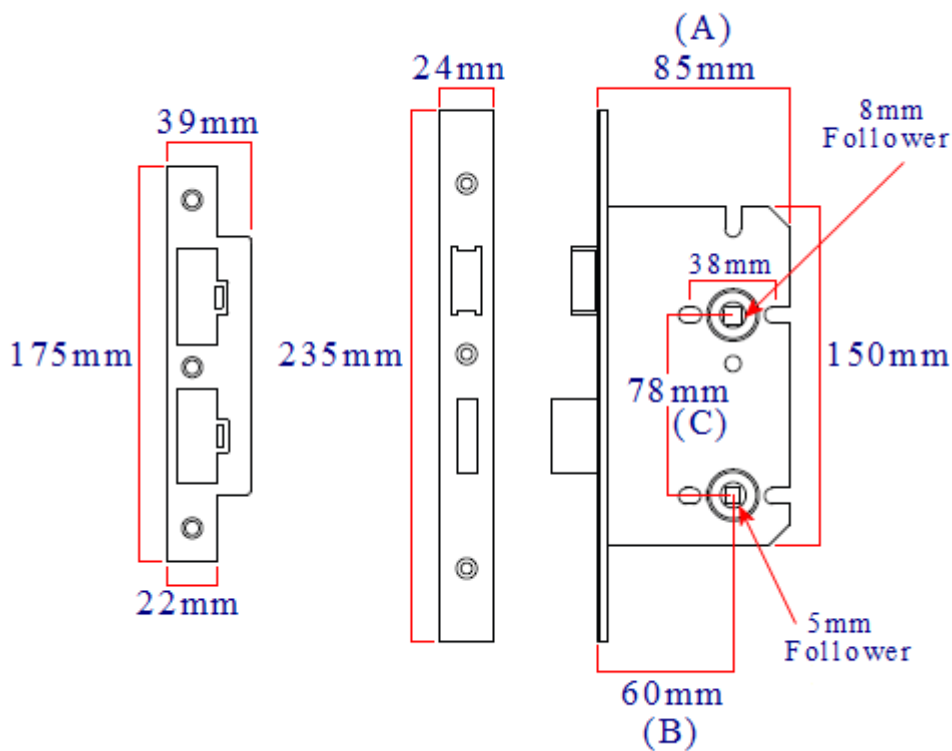
Finish

- Satin stainless steel - (brushed finish).

Alternative Finishes Available

- Polished stainless steel
- PVD Brass finish

Dimensions



Item Code Lock Case Depth (A) Backset To Keyhole (B) Spindle To Spindle centers (C)

30906.1 85mm 60mm 78mm

Standards This Product Conforms To

- Lock case tested and passed to BS EN 12209. The British / European standard requirements and test methods covering locks and latches. Classification number - **3M810F3BA00**.
- Tested and passed to BS EN 1634 the British / European standard for determining the fire resistance of door and shutter assemblies including hardware. Assessed for use on 30 minute and 1 hour timber fire doors FD30 / FD60.- Intumescent lock case liners required (sold separately).
- Certifire approved.
- CE Marked / UKCA Marked.
- Declaration of performance (DoP) - *please see the additional information tab to download the certificate.*

Options Available To Order

- This lock is also available to order with radius (rounded shape) forened and strike plates. Please contact us for lead times and prices.
- Intumescent lock case liners to suit the E*S DIN standard lock range are available. Please see our intumescent fire rated products category.

Extra Items Required For This Lock

- Lever door handles - (half set required for the inside of the door).
- A turn & emergency release set - (used to lock and unlock the door).

Rebate Kit For Double Rebated Doors

- 40835.1 - 13mm satin stainless steel rebate kit for use with DIN lock.

Unit Of Sale

- Each - (1 x lock case supplied with forend, strike plate and black plastic back box).

Products in this set



30906.1 - Architectural Quality DIN Style Bathroom Mortice Lock - CE / UKCA Marked - Fire Rated - Certifire Approved - 85mm Case Depth - (60mm Backset) - (78mm Centres) - Satin Stainless Steel