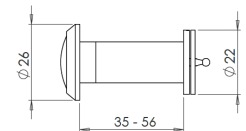


60 Minute Fire Rated Stainless Steel Door Viewer - Spy Hole For Front Doors 35mm - 55mm Thick - Satin Stainless Steel

Product Images



Description

- Stainless steel fire rated spy hole for front doors.
- Designed for use on 30 minute and 60 minute fire doors.
- FD30 and FD60 fire rated without intumescent.
- Perfect for retro-fitting standard door viewers.
- 19mm diameter crystal glass lenses.
- Robust shutter, cover for the inside of door included.

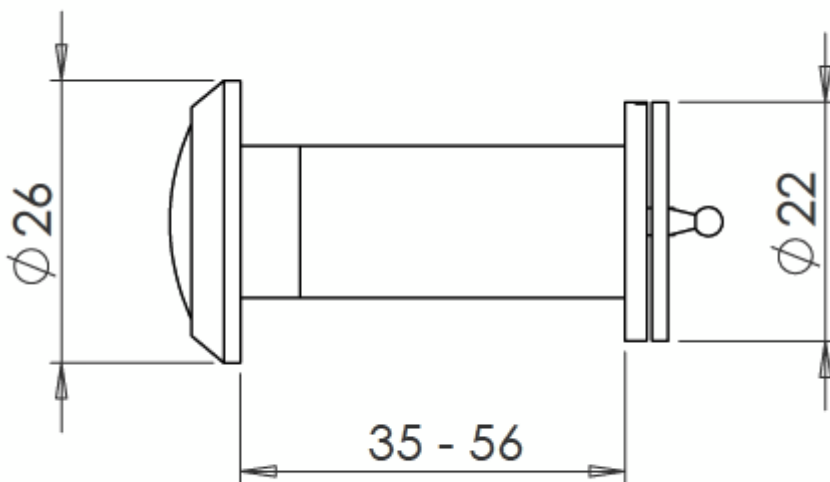
- Suits doors 35-55mm thick.
- Angle of vision 180°
- Manufactured to Technical Schedule TS002. for door viewers
- Minimum 240 hours corrosion to BS EN 1670
- Made from grade 304 Stainless Steel

Finish

- Satin stainless steel

Dimensions

- Outside lense diameter - 26mm
- Internal cover diameter - 22mm
- To suit door thickness - 35mm - 55mm
- Tube diameter - 14mm



Products in this set



31210.1 - 60 Minute Fire Rated Door Viewer - Spy Hole For Front Doors 35mm - 55mm Thick - Satin Stainless Steel