

Powermatic R100 - CE Marked Concealed Controlled Jamb Mounted Door Closer - Suitable For Use With FD30 / FD60 Fire Doors

Product Images



Description

Powermatic controlled concealed door closer

The Samuel Heath Powermatic® is one of the world's most advanced controlled, concealed door closers. It delivers outstanding performance and reliability, and possesses many unique features that deliver benefits to fire and non-fire door applications in housing, hotel, education, healthcare and many more applications.

Fire and Safety

- CE Marked / UKCA Marked
- Successfully type tested to BS EN 1154: 1997 power size 3
- BS EN 1634-1 approved for use on one hour and half-hour fire doors
- BS 476 tested for one-hour and half-hour fire doors
- Certifire approved

Accessibility

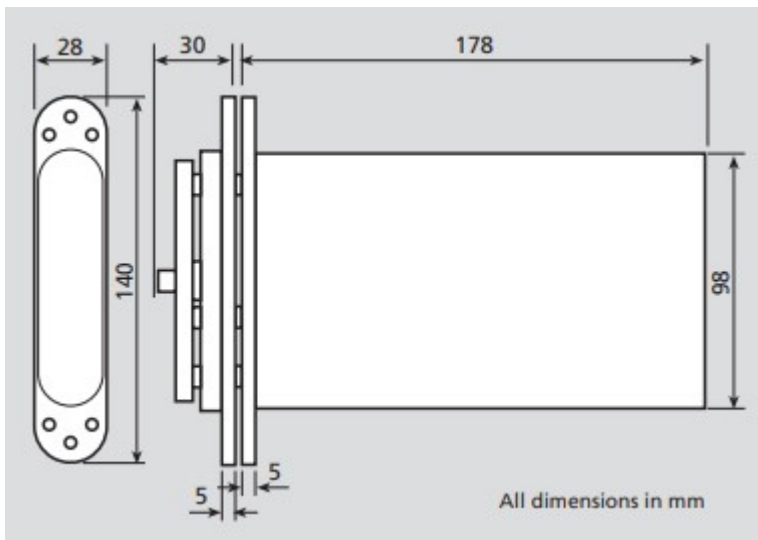
- Ultra efficient mechanism (exceeds threshold of 55% efficiency)
- Contributes towards achievement of BS 8300: 2009 and regional Building Regulations (Approved Document M (ADM) in England and Wales, Section 4 in Scotland and Part R in Northern Ireland. These regulations apply to the entire doorset in-situ and, therefore, no door closer can claim compliance on its own.)

Performance and quality

- Factory production control to BS EN ISO 9001: 2008
- Suitable for doors up to 80kg in weight and 950mm wide (BS EN 1154 size 3 test door 60kg)
- Suitable for latched and unlatched installations
- Can be used with electronically powered hold-open devices
- Adjustable closing speed and power latching action
- Endurance tested to 500,000 cycles
- Unique twin power mechanism
- 10-year guarantee
- Protected by worldwide patents
- On-site technical advice
- **Fire test and product information can be obtained from the downloads section.**

Finishes

- Satin Chrome
- Polished Chrome
- Satin Nickel
- Polished Nickel
- Polished Brass
- Antique Brass Un-lacquered
- Bronze
- Bronze Metal Antique
- Matt Black Chrome



Products in this set



31313.4 - Perko - Powermatic Controlled Concealed Door Closer - Tested For Use With FD30 / FD60 Fire Doors - Satin Chrome - Each



31313.2 - Perko - Powermatic Controlled Concealed Door Closer - Tested For Use With FD30 / FD60 Fire Doors - Polished Chrome - Each



31313.3 - Perko - Powermatic Controlled Concealed Door Closer - Tested For Use With FD30 / FD60 Fire Doors - Polished Brass (Lacquered) - Each



31313.1 - Perko - Powermatic Controlled Concealed Door Closer - Tested For Use With FD30 / FD60 Fire Doors - Antique Brass - Each