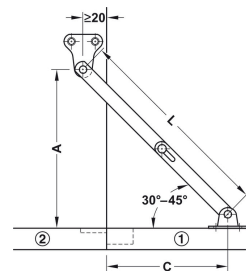
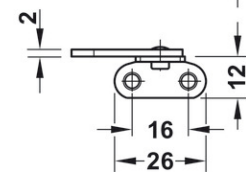
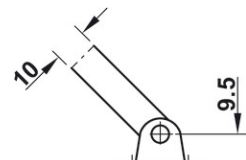
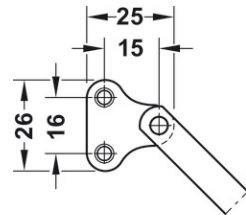
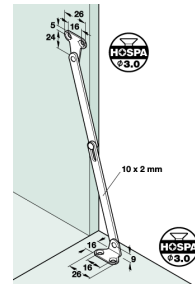
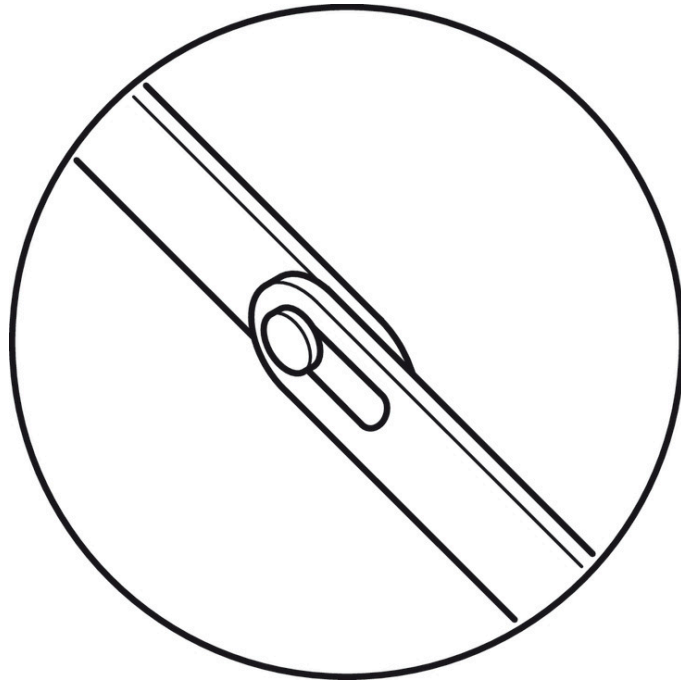


Drop Down Flap Stay - Length 200 mm - Silver

Product Images





Description

- With slotted centre joint
- Screw mounting to side panel and flap
- Unhanded design
- Nickel-plated steel flap stay
- Maximum weight 6.5 kg for a flap size 550mm x 400mm x 19 mm
- For larger flaps use 2 fittings

Products in this set



31534.1 - Drop Down Flap Stay - Length 200 mm - Silver - Each