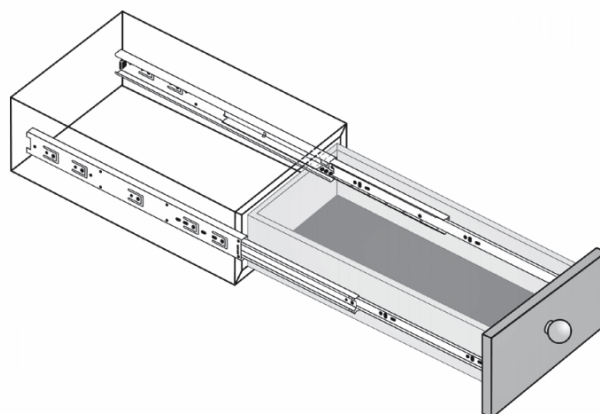
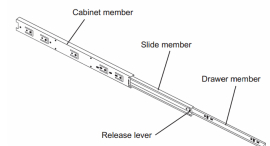
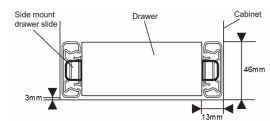


## Push To Open - Touch Release - Ball Bearing Drawer Runners - Full Extension - 45kg Weight Limit - Zinc Plated

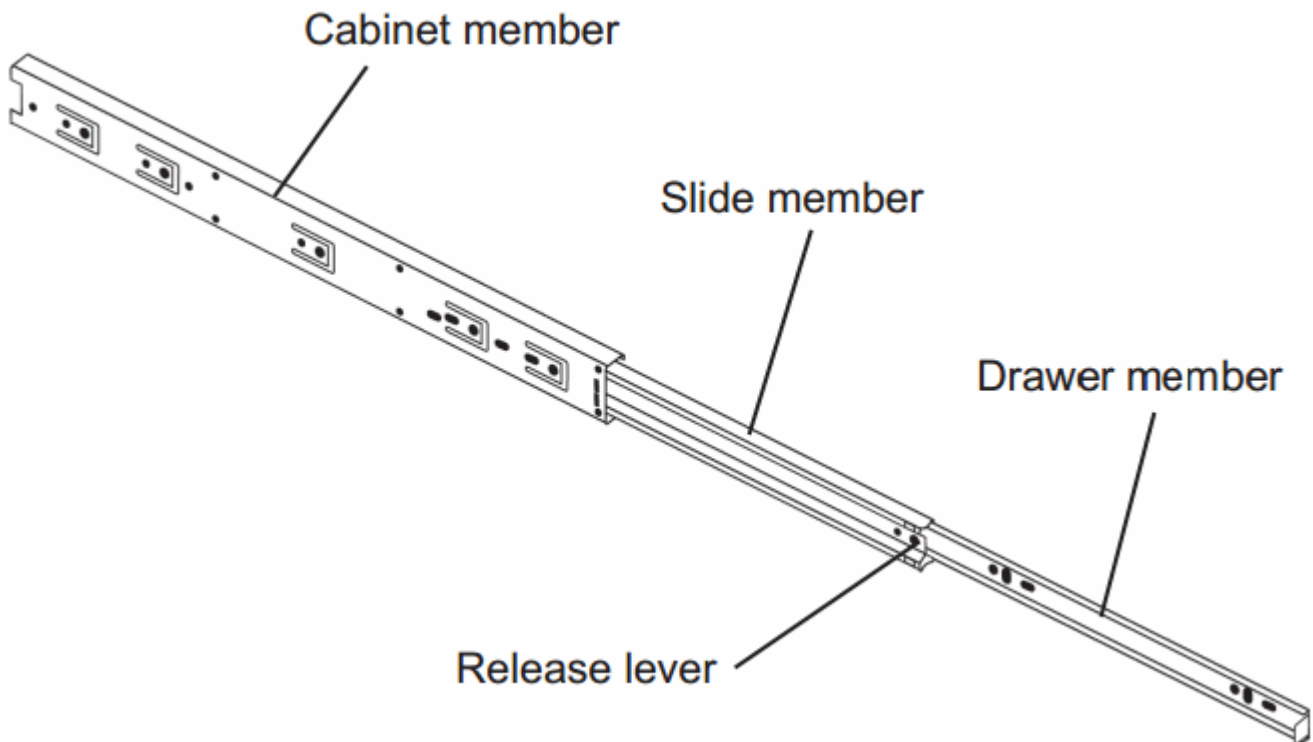
### Product Images

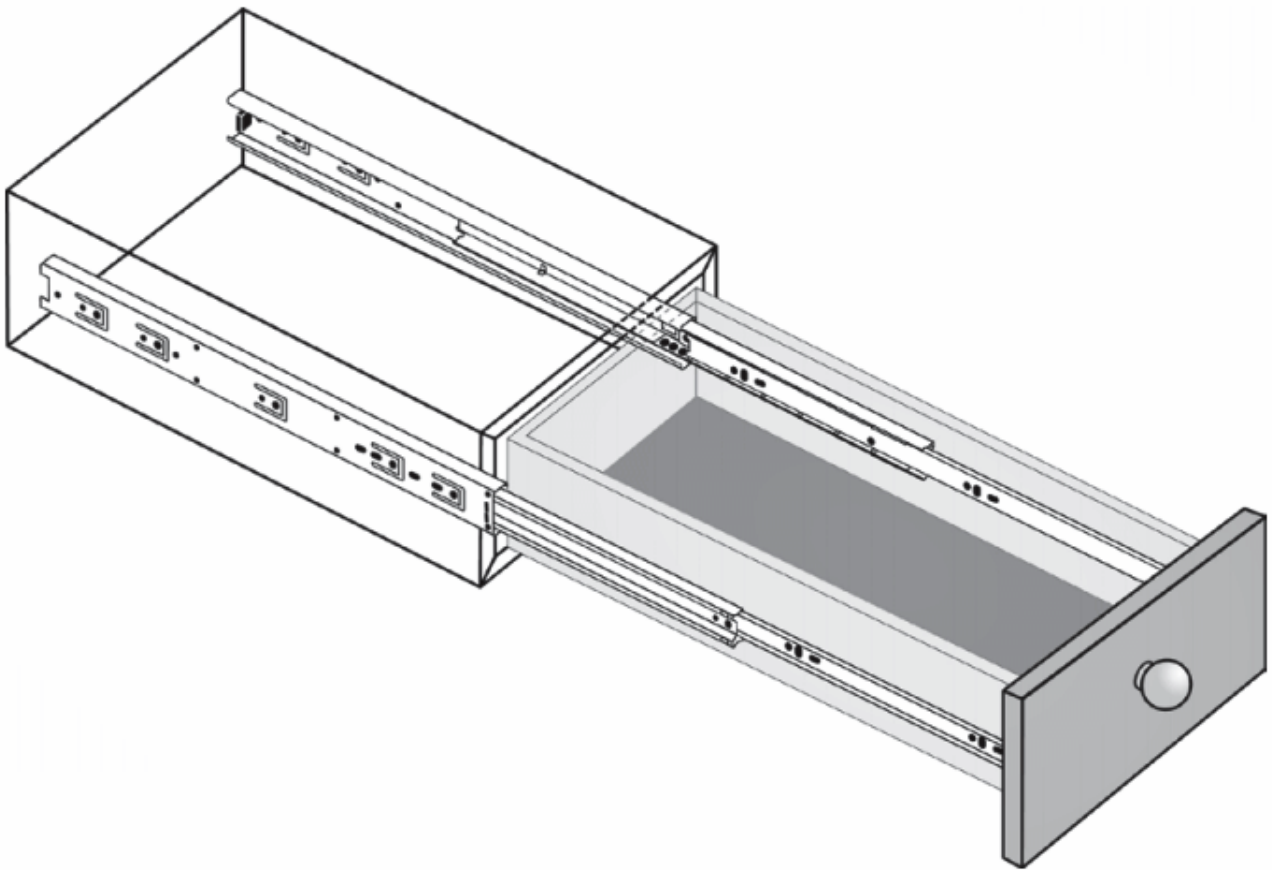


## Description

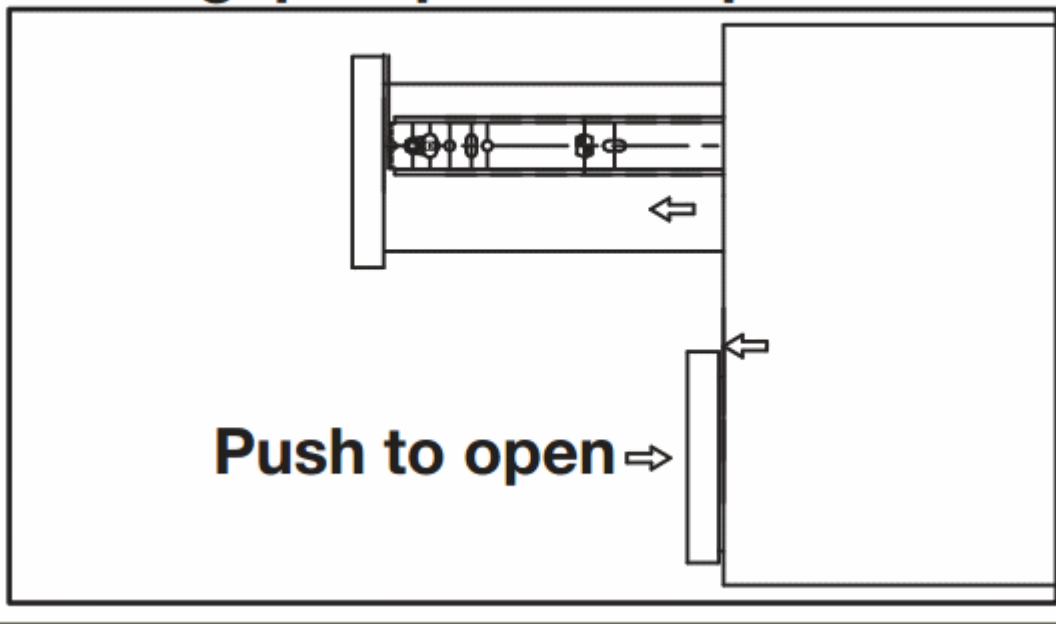
---

- Ball bearing drawer runners with built-in push to open mechanism.
- Designed for use in kitchens with no handles. Drawers can be open by simply touching and lightly pushing the drawer front.
- Touch release holds drawers or pull-out shelves in a closed position until activated by touch, eliminating the need for knobs or handles.
- Smooth and quiet operation.
- Ideal for use with kitchen drawers, wardrobes and TV units with no handles.
- Double (full) extension design allows the drawer to be pulled fully out from the cupboard / carcass.
- 45kg weight limit.
- Front disconnect feature allows the drawer to be removed from the cabinet by simply pressing the lever built into the runners.
- Hold-in feature holds the closed drawer in place.
- Cam adjuster offers installers a simple, yet precise mechanism for vertical drawer adjustment.
- Side mounted - 13mm gap required between drawer side and carcass.

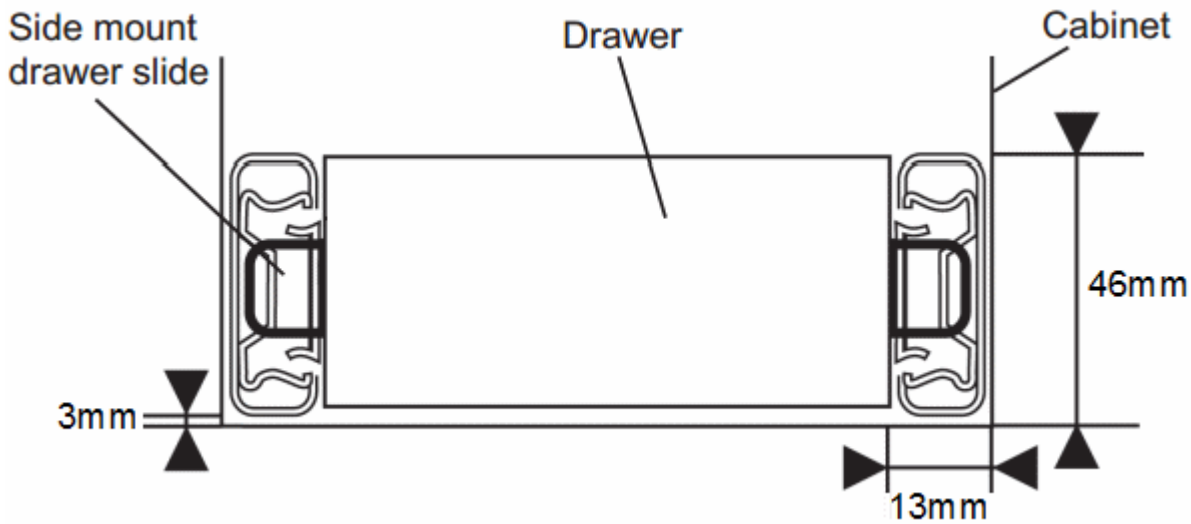




**2 mm gap required to open drawer**

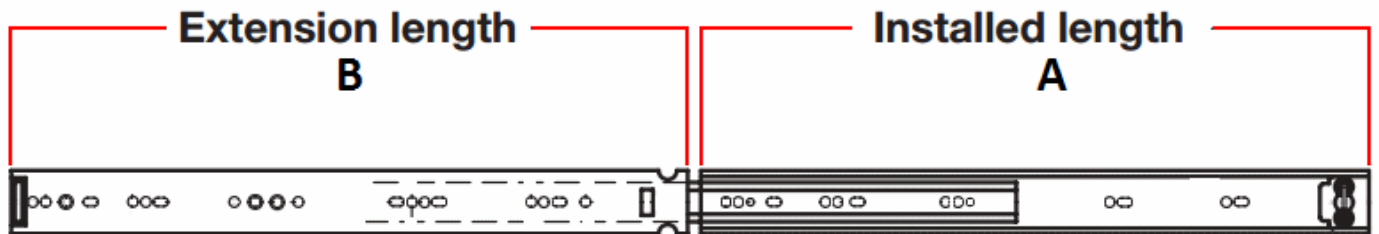


**Dimensions**



- Runner height - 46mm
- Runner thickness (Installation Width Required) - 13mm
- 2mm tolerance is required to push the drawer inwards to activate the touch release mechanism.
- **\*\*\* PLEASE NOTE - MAXIMUM DRAWER WIDTHS SHOWN IN TABLE BELOW BEFORE ORDERING \*\*\***

Drawer runner lengths available



Item Code	Installed Length (A)	Extension Length (B)	Max Drawer Width	Max Weight
40150.1	300mm	305mm		
40150.2	350mm	356mm	350mm	45kg
40150.3	400mm	406mm	400mm	45kg
40150.4	450mm	457mm	450mm	45kg
40150.5	500mm	508mm	500mm	45kg
40150.6	550mm	559mm	550mm	45kg
40150.7	600mm	610mm	600mm	45kg
40150.8	650mm	660mm	650mm	45kg
40150.9	700mm	711mm	700mm	45kg

## Base Material

- Made from steel.

## Finish Details

- Bright zinc plated.

# Unit Of Sale

- These ball bearing drawer runners are sold as pair (two runners).

## Products in this set

---



40150.1 - Push To Open - Touch Release - Ball Bearing Drawer Runners - Full Extension - Zinc Plated - 300mm - Pair



40150.2 - Push To Open - Touch Release - Ball Bearing Drawer Runners - Full Extension - Zinc Plated - 350mm - Pair



40150.3 - Push To Open - Touch Release - Ball Bearing Drawer Runners - Full Extension - Zinc Plated - 400mm - Pair



40150.4 - Push To Open - Touch Release - Ball Bearing Drawer Runners - Full Extension - Zinc Plated - 450mm - Pair



40150.5 - Push To Open - Touch Release - Ball Bearing Drawer Runners - Full Extension - Zinc Plated - 500mm - Pair



40150.6 - Push To Open - Touch Release - Ball Bearing Drawer Runners - Full Extension - Zinc Plated - 550mm - Pair



40150.7 - Push To Open - Touch Release - Ball Bearing Drawer Runners - Full Extension - Zinc Plated - 600mm - Pair



40150.8 - Push To Open - Touch Release - Ball Bearing Drawer Runners - Full Extension - Zinc Plated - 650mm - Pair



40150.9 - Push To Open - Touch Release - Ball Bearing Drawer Runners - Full Extension - Zinc Plated - 700mm - Pair