
ERA High Security British Standard BS8621 Rated - Escape Night Latch With Ant-Thrust - Polished Brass

Product Images



Description

TO SUIT MAXIMUM DOOR THICKNESS OF 54MM

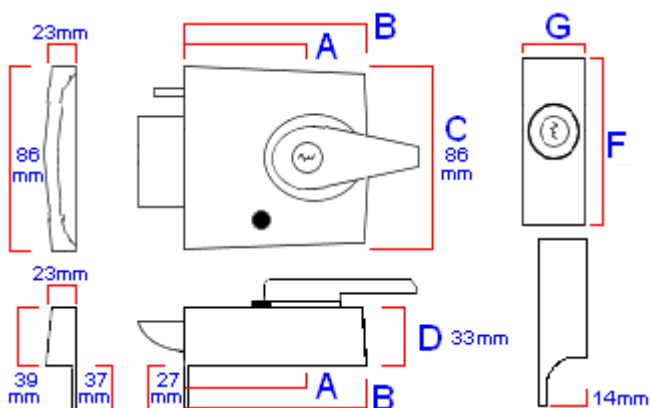
- British standard high security escape night latch.
- Conforms to British Standard BS8621:2004 and meets the tough criteria laid down by the insurance companies and the Police (Secure By Design)

- This egress night latch offers insurance rated security while still allowing adequate means of escape in the event of an emergency.
- This lock cannot double locked, allowing for escape at all times.
- Features an integral cylinder pull which protects the cylinder from being drilled
- The cylinder has over 30,000 key variations and comes with a 20mm bolt throw for greater security and strength.

Finish

- Polished brass plated

Dimensions



AVAILABLE IN TWO SIZES	40305.1	40305.2	Dimension On Diagram
Backset	40mm	60mm	A
Case Width	70mm	90mm	B
Case Height	86mm	86mm	C
Case Depth	33mm	33mm	D
Lever Projection From Case	25.5mm	25.5mm	E
Cylinder Height	83mm	83mm	F
Cylinder Width	50mm	50mm	G

Important Info Before You Buy

- For use on inward opening doors only
- Latch bolt is withdrawn by handle from inside and by turn of key from outside.
- Bolt can be held back by pushing the button on lock case, then released by turning the handle up or down
- The main lock bolt automatically deadlocks, when the door is closed this makes the use of a credit card to force entry virtually impossible
- Supplied with three keys

Products in this set



40305.1 - ERA High Security BS 8621 Rated - Escape Night latch - 60mm Backset - Polished Brass Plated