

5 Lever British Standard Kite Marked Mortice Dead Lock - BS3621 Rated - CE / UKCA Marked - Fire Rated - Certifire Approved - Polished Stainless Steel -

Product Images



Description

- 5 Lever British Standard Deadlock.
- Polished stainless steel - shiny finish.
- Kite marked security lock for front doors. Tested to the British standard BS 3621.
- Insurance approved, BS 3621 rated.
- Key operation from either side of the door via a cut "Chubb style" key.
- Supplied with shiny polished finish forend and receiver plate.
- Police preferred specification - Secured By Design (SBD) approved.
- Mortice lock available in two sizes 64mm or 76mm (case depth).
- Supplied with 2 keys

Operation

- Key operation from both sides.
- Key differed - if ordering more than one, each lock will come with different keys.
- Suitable for use on timber doors.

Features

- Heavy duty lock case.
- Solid stainless steel deadbolt.
- 20mm bolt throw with a single turn of a key.

Security Level

- Tested to BS EN 12209 the British / European standard requirements and testing methods covering locks and latches. Classification number **2H810F7KD0B**
- Stainless steel deadbolt with 20mm throw (bolt is thrown 20mm via one turn of the key only).
- Police preferred specification - Secured By Design (SBD) approved.
- High security, suitable for use on external front doors.

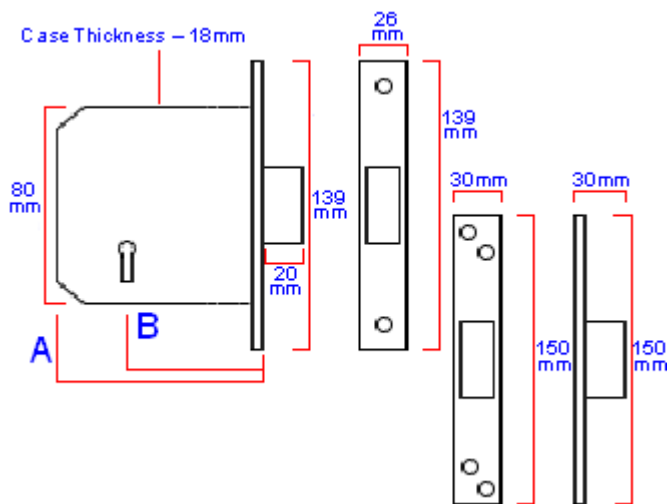
Finish

- Polished stainless - (shiny finish ideal for matching with polished chrome products).

Alternative Finishes Available

- Satin stainless steel
- PVD Brass
- Florentine bronze

Dimensions



Item Code Lock Case Depth (A) Backset To Keyhole (B)

40660.1	64mm	44mm
40660.2	76mm	57mm

Standards This Product Conforms To

- Police preferred specification - Secured By Design (SBD) approved.
- Kite marked - This lock meets the current British standard for locks fitted to external doors, including front doors.
- Insurance approved.
- Tested and passed to BS 3621:2007. The British standard requirements and test methods covering thief resistant lock assemblies with key egress (key egress - operating the lock via key from the inside of the door).
- Lock case tested and passed to BS EN 12209. The British / European standard requirements and test methods covering locks and latches. Classification number - **2H810F7KD0B**.
- Tested and passed to BS EN 1634 the British / European standard for determining the fire resistance of door and shutter assemblies including hardware. Assessed for use on 30 minute and 1 hour timber fire doors FD30 / FD60.
- Certifire approved.
- CE Marked / UKCA Marked.
- Declaration of performance (DoP) - ***please see the additional information tab to download the certificate.***

Options Available To Order

- **Keyed Alike (KA)** - A batch of locks all under the same one key.
- Please contact us for more information and lead times and prices for the above options.

Rebate Kits For Double Rebated Doors

- 40840.1 - 13mm rebate kit for 5 lever dead lock
- **PLEASE NOTE BY USING THE ABOVE REBATE KIT THE FINISH WILL BE SATIN (BRUSHED) STAINLESS STEEL**



40660.1 - 5 Lever British Standard Kite Marked Mortice Dead Lock - BS3621 Rated - CE / UKCA Marked - Fire Rated - Certifire Approved - 64mm Case Depth (44mm Backset) - Polished Stainless Steel



40660.2 - 5 Lever British Standard Kite Marked Mortice Dead Lock - BS3621 Rated - CE / UKCA Marked - Fire Rated - Certifire Approved - 76mm Case Depth (57mm Backset) - Polished Stainless Steel

Products in this set