

Architectural Quality DIN Style Mortice Latch - CE Marked - Fire Rated - Certifire Approved - Polished Stainless Steel

Product Images



Description

- Euro profile DIN standard mortice latch.
- Polished stainless steel - (shiny finish).
- Case size 150mm x 85mm.
- 60mm backset
- Satisfies BS 8300 and Approved Doc M (ADM). - Suitable for use in public and commercial buildings.
- For use on doors that require lever door handles that do not need to be locked.
- Must be used in conjunction with some form of door handle.

- Comes supplied with polished (shiny) stainless steel forend and frame mounted strike plate.

Operation

- Latch is withdrawn via a lever handle from either side of the door. (handles sold separately).

Features

- Heavy duty lock case and stainless steel striker plate for the door frame.
- Solid stainless steel deadbolt and latch.
- Dual latch springing - spring strength can be adjusted on site to suit sprung or un-sprung lever furniture.
- Bolt through facility for bolt together fixing of lever handles and accessories at 38mm centers.
- Solid investment cast 8mm x 8mm spindle follower (to suit standard UK size spindles).
- 10 year mechanical guarantee as standard.
- Patented Easi-T latch reversal mechanism. - Latch can be reversed on site without taking the lock case apart.
- Reversible and adjustable strike plate.
- Complete with black plastic frame box keep to sit behind the strike plate.

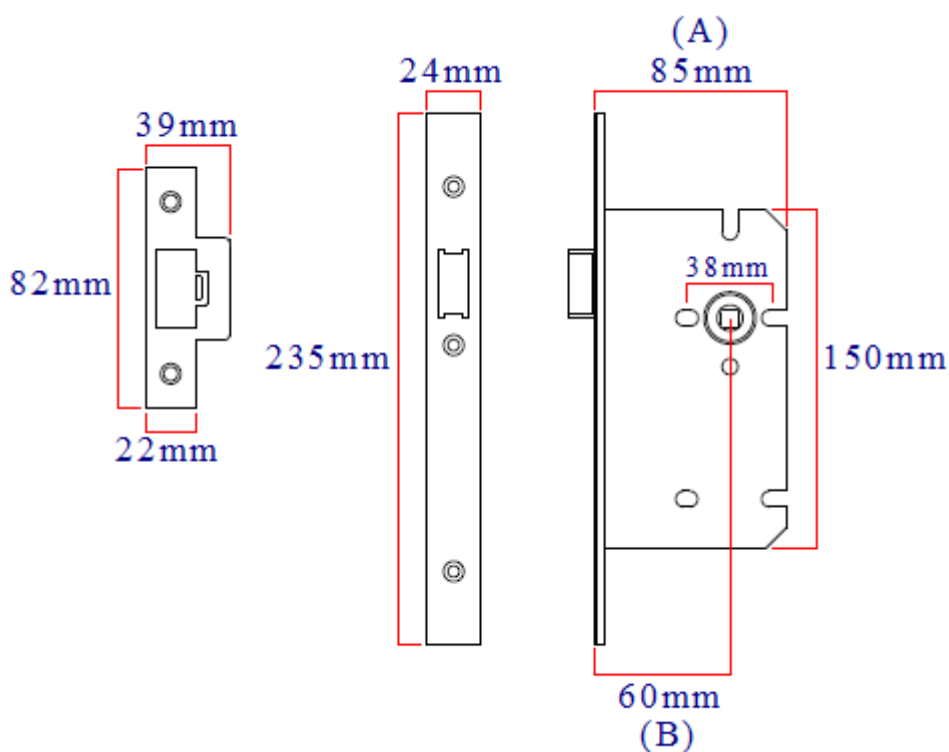
Finish

- Polished stainless steel - (shiny finish).

Alternative Finishes Available

- Satin stainless steel
- PVD Brass finish

Dimensions



Item Code Lock Case Depth (A) Backset To Keyhole (B) Case Height

40670.1 85mm 60mm 150mm

Standards This Product Conforms To

- Lock case tested and passed to BS EN 12209. The British / European standard requirements and test methods covering locks and latches. Classification number - **3M810F3BA00**.
- Tested and passed to BS EN 1634 the British / European standard for determining the fire resistance of door and shutter assemblies including hardware. Assessed for use on 30 minute and 1 hour timber fire doors FD30 / FD60.- Intumescent lock case liners required (sold separately).
- Certifire approved.
- CE Marked
- Declaration of performance (DoP) - *please see the additional information tab to download the certificate.*

Options Available To Order

- This lock is also available to order with radius (rounded shape) forend and strike plates. Please contact us for lead times and prices.
- Intumescent lock case liners to suit the DIN standard lock range are available. Please see our intumescent fire rated products category.

Rebate Kit For Double Rebated Doors

- There is currently **no** polished finish rebate kit available to suit this lock.

Unit Of Sale

- Each - (1 x lock case supplied with forend, strike plate and black plastic back box).

Products in this set



40670.1 - Architectural Quality DIN Style Mortice Latch - CE Marked - Fire Rated - Certifire Approved - 85mm Case Depth (60mm Backset) - Polished Stainless Steel