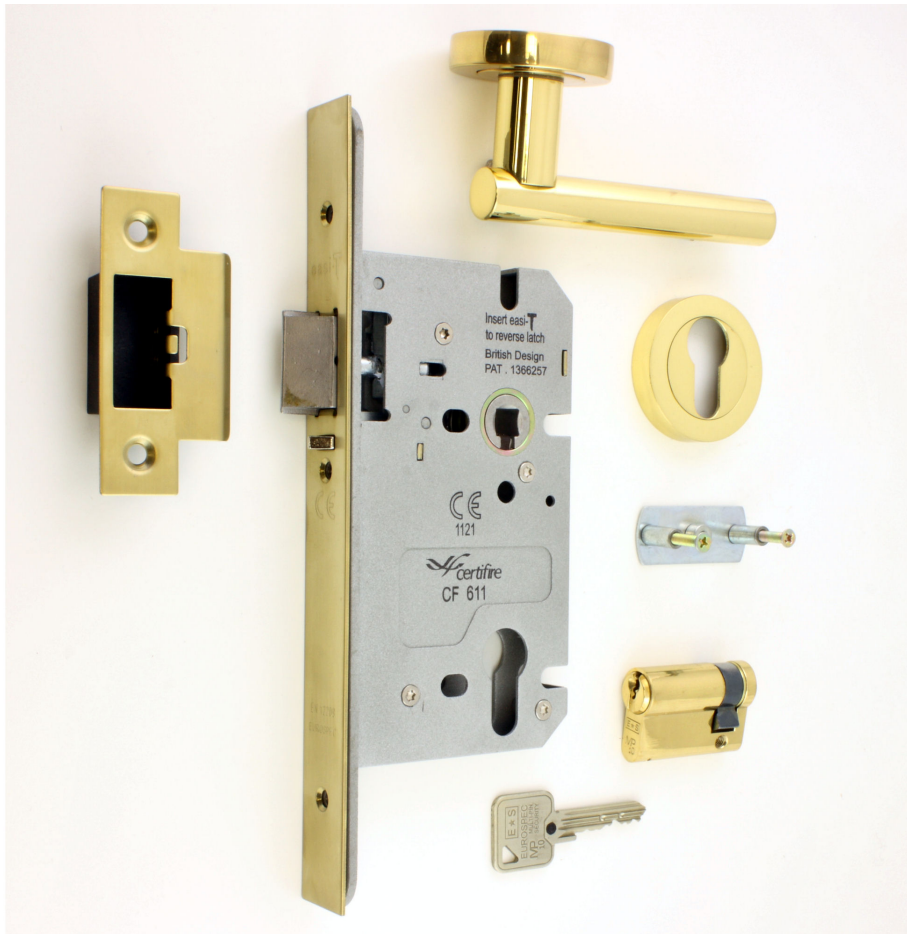


## DIN Style Anti-Thrust Mortice Night Latch - Complete Set - Supplied With Handles & Cylinder - Polished Brass

### Product Images





## Description

---

- DIN style mortice night latch kit.
- This "kit" contains the following items 1x DIN style Euro anti-thrust night latch, 1x pair of polished brass levers, 1x MpX6 single euro profile anti-snap cylinder (key operated) and 1x euro profile escutcheon.
- Polished brass - (shiny finish).
- Ideal for use on front entrance doors, the mortice night latch works just like a Yale lock. A lever handle on this inside of the door is used to withdraw the latch and open the door. To open the door from the outside a key is inserted into a euro cylinder, when turned the latch is withdrawn and the door can be opened.
- Anti-thrust snib built into the forend of the lock, deadlocks the latch when the door is closed, preventing it from being able to be forced back with tools or by using the "credit card trick."
- Satisfies BS 8300 and Approved Doc M (ADM). - Suitable for use in public and commercial buildings.
- For use on doors that require lever handle operation on the inside and key operation on the outside.

## Operation

- Latch is withdrawn via a lever handle from the inside of the door. - **(Please note a pair of handles are supplied with this set but only HALF will be used for the inside of the door only).**
- Latch is withdrawn via a half (single) euro profile cylinder from the outside of the door (cylinder supplied to suit a 44mm thick door).
- Suitable for use on inward or outward opening doors.

## Night Latch Features

- Anti-thrust snib built into the forend of the lock, deadlocks the latch when the door is closed, preventing it from being able to be forced back with tools or by using the "credit card trick."
- Heavy duty lock case and stainless steel striker plate for the door frame.
- Solid stainless steel latch.
- Dual latch springing - spring strength can be adjusted on site to suit sprung or un-sprung lever furniture.
- Bolt through facility for bolt together fixing of lever handles and accessories at 38mm centres.
- Solid investment cast 8mm x 8mm spindle follower (to suit standard UK size spindles).

- 10 year mechanical guarantee as standard.
- Patented Easi-T latch reversal mechanism. - Latch can be reversed on site without taking the lock case apart.
- Reversible and adjustable strike plate.
- Complete with black plastic frame box keep to sit behind the strike plate.

## Cylinder Security Level

- Snap off front section via (sacrificial cut). If an attempt is made to snap the cylinder, it will break in a pre-designed position which helps prevent burglars from manipulating the cam in the middle of the cylinder.
- 6 Hardened steel Anti-Drill pins, plugs and disc.
- Anti-plug pull feature.
- Anti-twist.
- Anti-pick.
- Anti-bump.
- Suitable for use on internal or external doors including front doors where a high level of security is required.

## Door Handle

- Supplied with a brass lever handle.
- Straight design.
- Polished brass - (shiny finish).
- Please note 1x PAIR of lever is supplied with this kit but only HALF will be used. (The lever must be fitted to the inside of the door only).
- Supplied with the ALP5038 - fixing plate and half spindle for securing a single handle to a door.

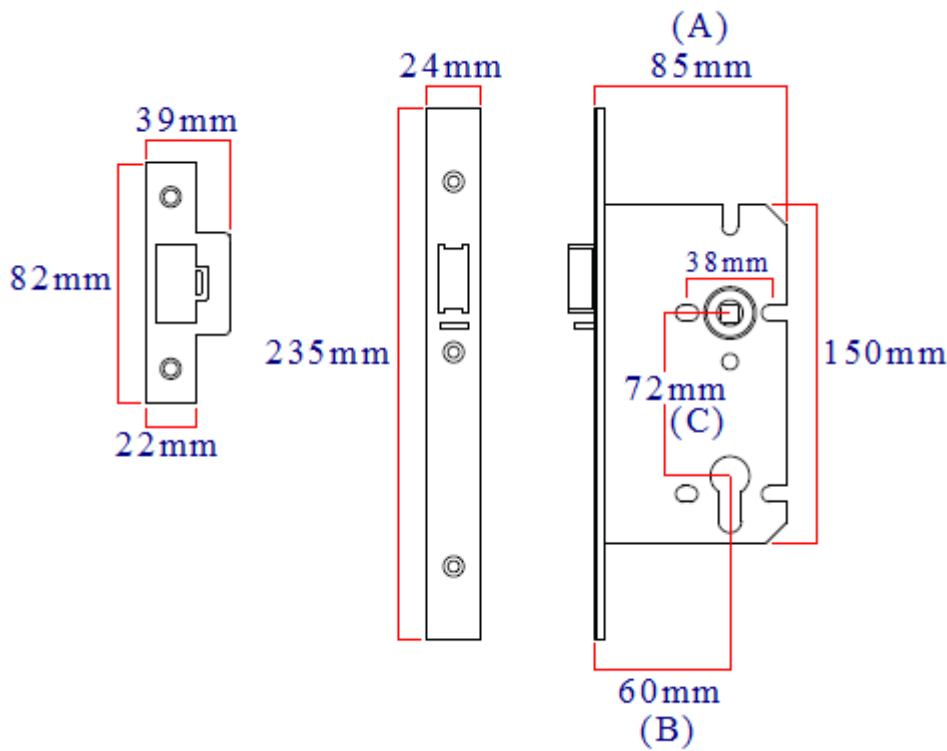
## Finish

- Polished brass and PVD brass - (shiny finish).

## Alternative Finishes Available

- Satin stainless steel
- Polished stainless steel.

## Dimensions

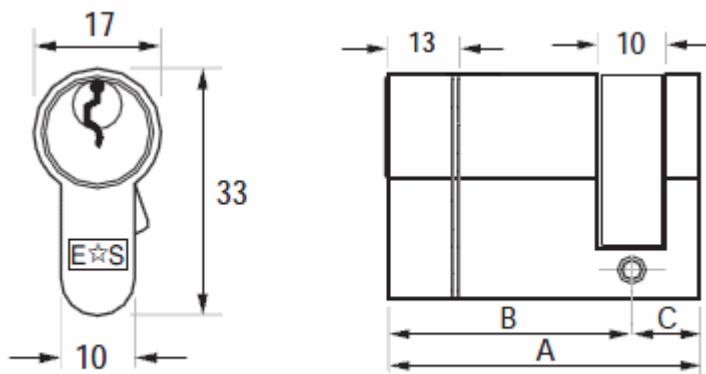


Item Code Lock Case Depth (A) Backset To Keyhole (B) Spindle To Euro centers (C)

40680.1 85mm 60mm 72mm

## Cylinder Dimensions

- Single (half) cylinder - key operated from outside of the door only.



All measurements in mm

Item Code Overall Length (A) External Side (B) Internal Side (C) Anti-Snap Section

CYX71146PB 46mm 36mm 10mm 13mm

## Standards This Product Conforms To

- Lock case tested and passed to BS EN 12209. The British / European standard requirements and test methods covering locks and latches. Classification number - **3M810F3BA00**.
- Tested and passed to BS EN 1634 the British / European standard for determining the fire resistance of door and shutter assemblies including hardware. Assessed for use on 30 minute and 1 hour timber fire doors FD30 / FD60.- Intumescent lock case liners required (sold separately).
- The Euro profile cylinder has been tested to BS EN 1303 the British / European standard requirements and testing methods covering cylinders for locks. The MpX6 cylinder range have been tested to security grade 2.
- Inclusive design - the dimensions of the mortice lock are compliant to Approved Doc M (ADM) and meet the dimensional requirements of BS 8300.

- Certifire approved.
- CE Marked / UKCA Marked.
- Declaration of performance (DoP) - ***please see the additional information tab to download the certificate.***

## Options Available To Order

- This lock is also available to order with radius (rounded shape) forened and strike plates. Please contact us for lead times and prices.
- Intumescent lock case liners to suit the E\*S DIN standard lock range are available. Please see our intumescent fire rated products category.

## Rebate Kit For Double Rebated Doors

- 40836.1 - 13mm PVD brass rebate kit for use with a DIN lock.

## Items Supplied Within This Kit

- 1x 40676.1 - DIN style euro profile anti-thrust mortice night latch - PVD brass finish.
- 1x - Pair of polished brass levers. **(please note only 1 half of these handles will be fitted to the door).**
- 1x CYX71146PB - Euro profile single cylinder - BS rated anti-snap - MpX6 security range - polished brass.
- 1x - Euro profile escutcheon - polished brass.
- 1x - Fixing plate and half spindle for securing half set of handles to a door.

### Products in this set

---



**40680.1 - DIN Style Anti-Thrust Mortice Night Latch - Complete Set With Handles & Cylinder - Polished Brass**