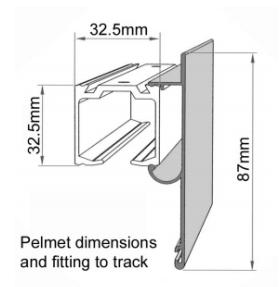
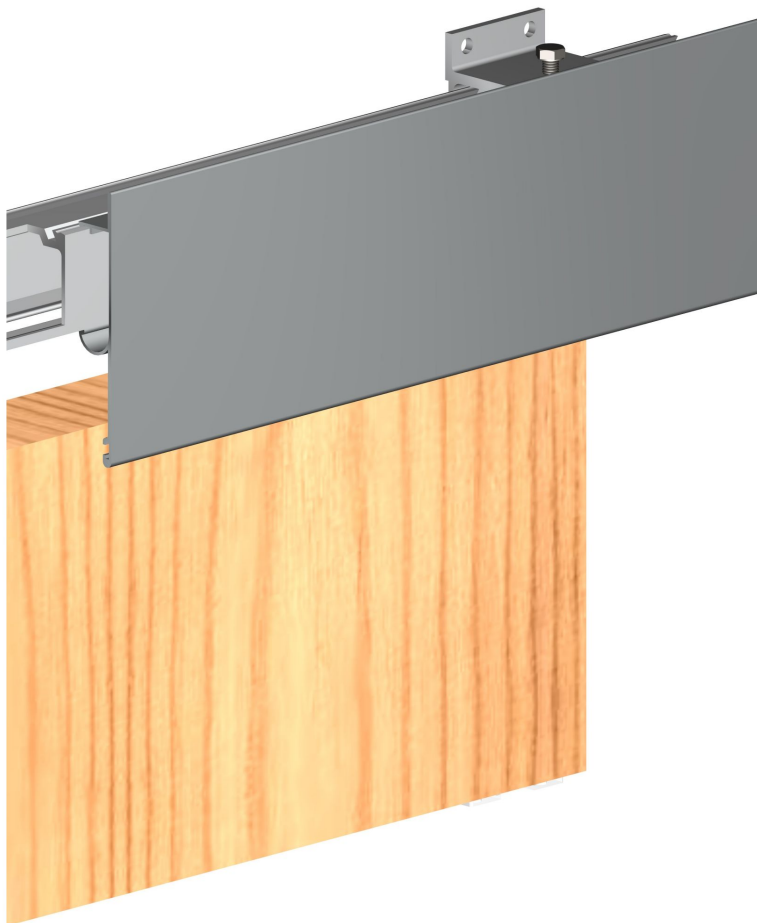


Pelmet Cover Plate To Suit Sliding Door Gear Tracks For Timber Doors - 2000mm x 87mm - SAA Aluminium

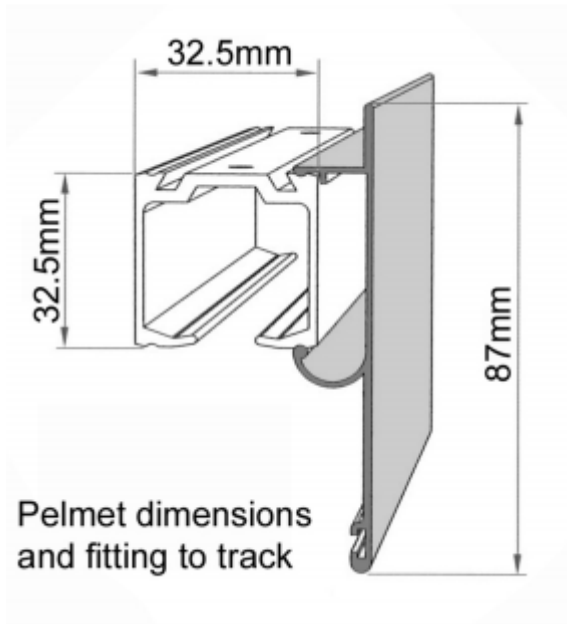
Product Images



Description

- Flat face fixing pelmet cover plate to suit sliding door gear tracks for timber doors.
- Suitable for use when wall mounting the Herkules tracks or ceiling mounting the track (please note if you're intending to use this pelmet with a ceiling mounted track, spacers will be required - **see product - 41133**).
- **Not** supplied with end caps
- 2000mm x 87mm,
- SAA Aluminium.
- Easy to fit - pelmet simply clips on to the aluminium track.

- Suitable for use with '60kg - 31268' / '120kg - 31269' / 'Glass - 31278' timber and glass sliding door systems.



Products in this set



40702.1 - Pelmet Cover Plate To Suit Sliding Door Gear Tracks For Timber Doors - 2000mm x 87mm - SAA Aluminium