
Horizontal Mortice Latch - Deep Case For Use With Door Knobs - Polished Brass PVD Plated

Product Images



Description

- Horizontal mortice latch.
- Supplied with PVD brass forend and strike plates.
- Architectural quality.
- Large style lock case - 127mm (5 inches) or 152mm (6 inches) deep.
- Traditional horizontal style is ideal for mortice knobs as it places the knobs far away from the door frame.
- For use on doors that require door handles but do not need to be locked (latched only).
- Horizontal latches were a traditional lock often found in period properties.

- Bolt through lock (38mm bolt holes) to suit bolt together handles and mortice knobs.

Operation

- Latch is withdrawn via a mortice door knob or lever handle from either side of the door (handles sold separately).
- Two way action allows un-sprung door knobs to be turned either way to withdraw the latch mechanism and open the door.

Features

- Light to medium weight springing makes this lock ideal for use with door knobs.
- Two way action allows door knobs to be turned in both directions.
- Solid brass guided latch.
- Bolt through facility for bolt together fixing lever handles and accessories at 38mm centres.
- 8mm x 8mm spindle follower (to suit standard UK size spindles).
- Latch can be reversed on site.
- Reversible frame mounted strike plate.
- Suitable for use on internal doors in residential or light commercial buildings.

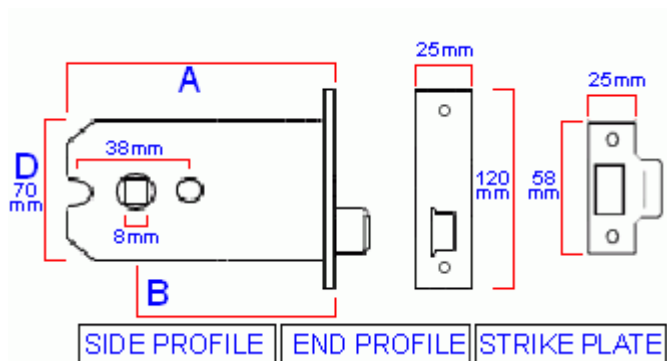
Finish

- PVD brass.

Alternative Finishes Available

- Satin stainless steel.
- Polished stainless steel.

Dimensions



- 40748.1 - 127mm (5 inch)
- 40748.2 - 152mm (6 inch)

	40748.1	40748.2	Dimension On Diagram
Overall Case Depth	127mm	152mm	A
Backset (Distance To Centre Of Spindle Hole)	101mm	127mm	B
Case Height	70mm	70mm	N/A

Forend - Height x Width	120mm x 25mm	120mm x 25mm	N/A
Strike Plate - Height x Width	58mm x 25mm	58mm x 25mm	N/A

Options Available To Order

- Intumescent sheets and lock case liners are available. Please see our intumescent fire rated products category for details.

Rebate Kit For Double Rebated Doors

- 40832.1 - 13mm PVD brass rebate kit for use with the horizontal mortice locks.

Unit Of Sale

- Each - (1 x latch case supplied with forend and strike plate).

Products in this set



40748.1 - Horizontal Mortice Latch - Polished Brass PVD Plated - 127mm Case Depth (101mm Backset) - Each



40748.2 - Horizontal Mortice Latch - Polished Brass PVD Plated - 152mm Case Depth (127mm Backset) - Each