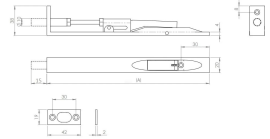


Lever Action Flush Bolt - Suitable For Use On FD30 / FD60 Fire Doors - Satin Stainless Steel

Product Images



Description

- Lever action flush bolts for double doors.
- Designed to be fitted into the leading edge of the slave door.
- Suitable for use on FD30 / FD60 fire rated doors, when used in conjunction with the **(41667)** intumescent kit.

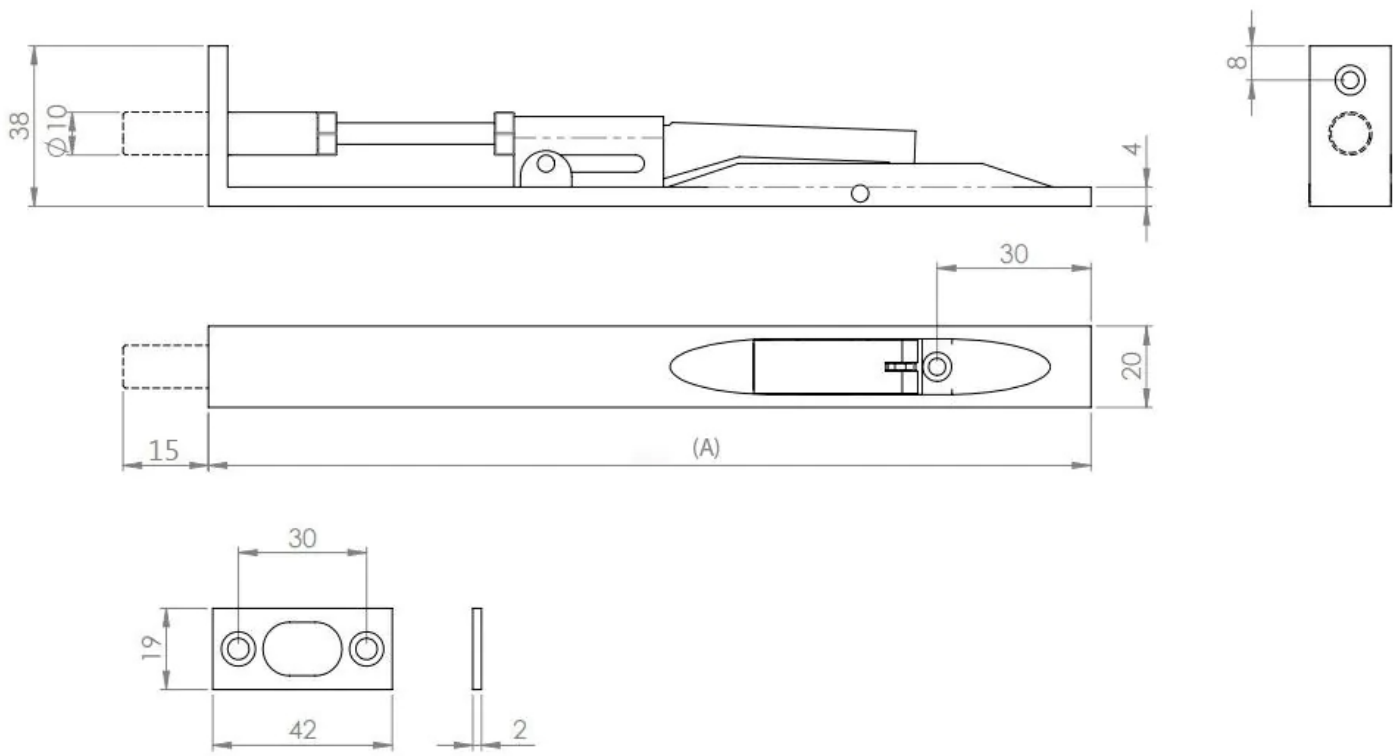
Base Material

- Stainless Steel

Finish

- Satin Stainless Steel

Dimensions



	Length (A)	Width	Depth
40810.1	150mm	20mm	38mm
40810.2	200mm	20mm	38mm
40810.3	305mm	20mm	38mm
40810.4	450mm	20mm	38mm
40810.5	600mm	20mm	38mm
40810.6	914mm	20mm	38mm

Unit Of Sale

- Sold individually - each
- Suitable for use on FD30 / FD60 fire rated doors, when used in conjunction with the (41667) intumescent kit
- **Note: 40810.6** (914mm x 20mm) is **NOT** fire rated

Products in this set



40810.1 - Lever Action Flush Bolt - Tested For Use With FD30 / FD60 Fire Doors - 150mm x 20mm - Satin Stainless Steel - Each



40810.2 - Lever Action Flush Bolt - Tested For Use With FD30 / FD60 Fire Doors - 200mm x 20mm - Satin Stainless Steel - Each



40810.3 - Lever Action Flush Bolt - Tested For Use With FD30 / FD60 Fire Doors - 305mm x 20mm - Satin Stainless Steel - Each



40810.4 - Lever Action Flush Bolt - Tested For Use With FD30 / FD60 Fire Doors - 457mm x 20mm - Satin Stainless Steel - Each



40810.5 - Lever Action Flush Bolt - Tested For Use With FD30 / FD60 Fire Doors - 600mm x 20mm - Satin Stainless Steel - Each



40810.6 - Lever Action Flush Bolt - 914mm x 20mm - Satin Stainless Steel - Each