
Flush Bolt Floor Socket - Dust Excluder - For Timber Fixing - 38mm x 20mm - Satin Stainless Steel

Product Images



Description

- Dust socket to be used with lever action radius flush bolts for double doors
- Designed to be fitted into wood as a dust excluder

Base Material

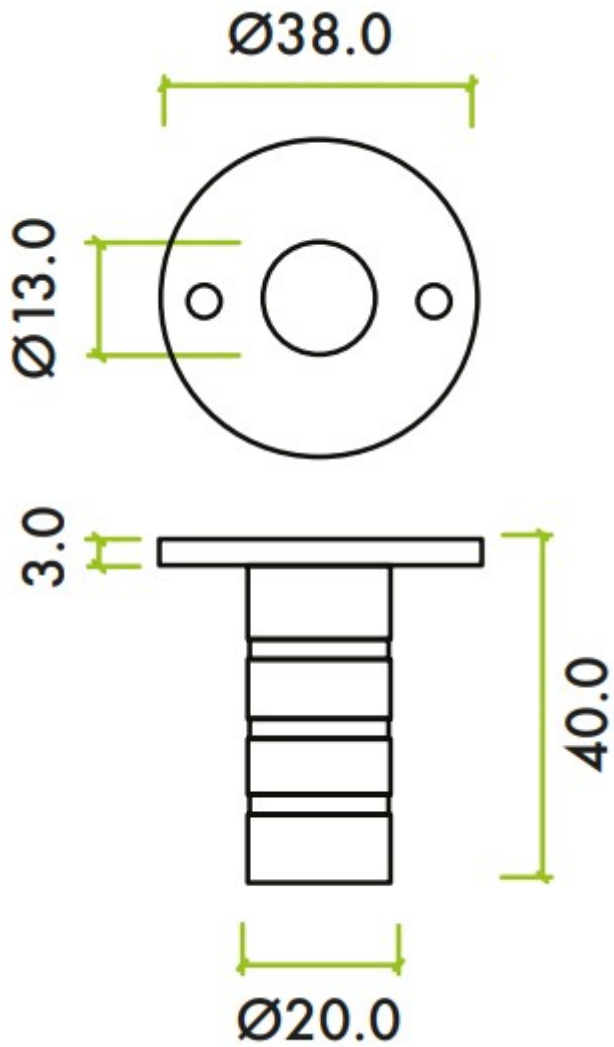
- Stainless Steel

Finish

- Satin Stainless Steel

Dimensions

- 38mm x 20mm



Unit Of Sale

- Sold individually - each

Products in this set



40812.1 - Dust Socket - Timber Dust Excluder - 38 x 20mm - Satin Stainless Steel