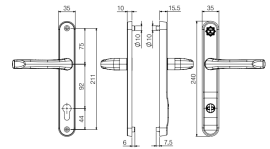


Multi Point Door Handles - TS007 2 Star Rated - 92mm Euro Centres - 211mm Bolt Centres - White

Product Images



Description

- Powder coated white finish Mila ProSecure door handles.
 - Designed for use with multi-point locking systems on timber, uPVC and composite doors.
 - Enhanced security door handles that provide protection against the latest methods of forced entry and comply to the new enhanced security performance standard TS007 2012.
 - 2 Star security rating.
 - The handles are designed for use on external doors including front door, back doors and French patio doors.
 - Lift handle to lock system designed to work with the majority of new multi-point locking systems.
 - Supplied with sprung cassettes allowing this handle to work with sprung and un-sprung locking systems.
 - Standard 92mm Euro profile centres.
 - 211mm fixing bolt centres.
 - 240mm x 35mm backplate.
 - Acting as a visual deterrent the Secured by Design logo etched onto the ProSecure handle backplate offers passive security protection.
 - The ProSecure handle range protects against 4 common types of attack
1. Handle Snapping - Steel reinforcement technology within the backplate provides jimmy resistance. Chamfered backplate shoulders provide anti-grip protection.
 2. Cylinder Snapping - An integrated cylinder guard, visible within the raised backplate design, encases the cylinder to protect it from attack.
 3. Cylinder De-plugging - An integral anti-plug disc, captive within the backplate, locates directly over the cylinder face to shield it from attack.
 4. Cylinder Drilling - An anti-drill disc spins if attacked with a drill, preventing the drill bit from penetrating the cylinder.

Operation

- Lever handle on either side of the door.
- Lift handle to lock.

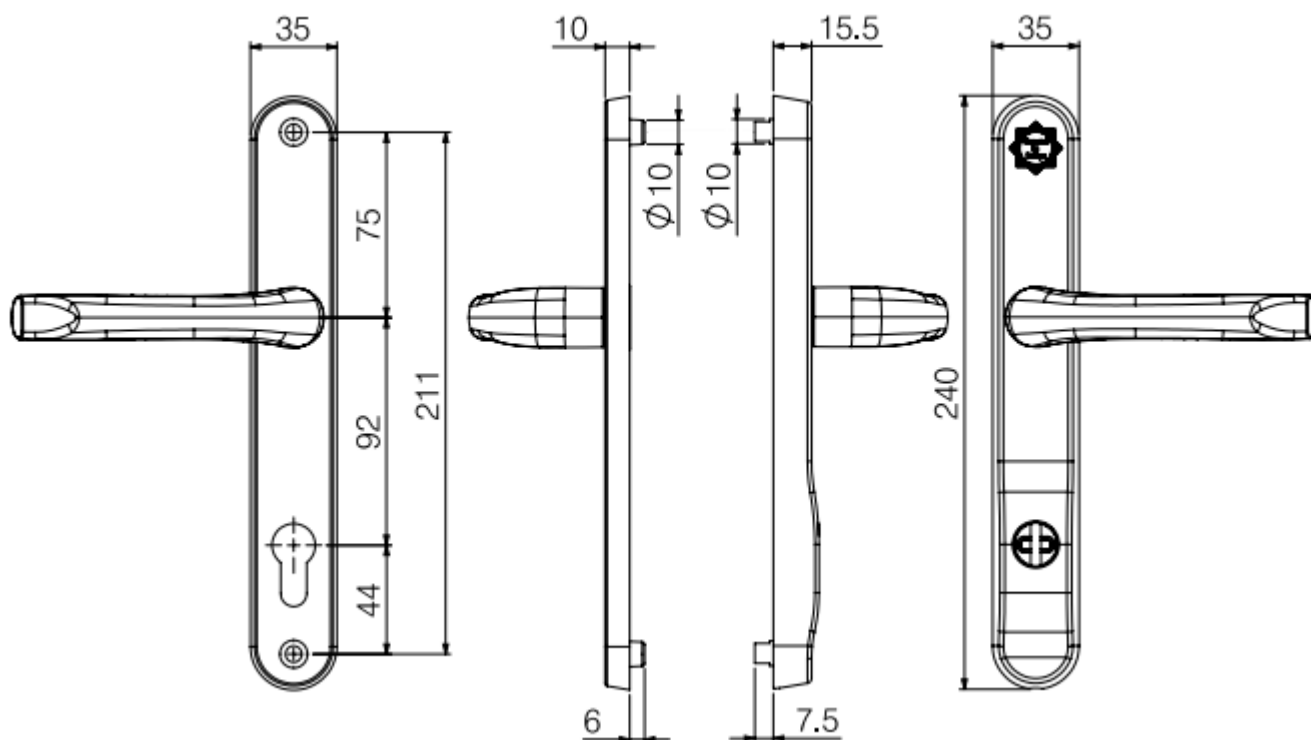
Finish

- Powder coated white.

Alternative Finishes Available

- Polished chrome.
- Satin chrome.
- PVD gold.

Dimensions



Item Code Euro Profile Centres Bolt Hole Fixing Centres **Back Plate Size**

40850.1 92mm 211mm 240mm x 35mm

Standards This Product Conforms To

This door handle has been tested to 200,000 cycles. It has also been tested with salt spray for 240 hours (plated finishes). It has been tested at the following UKAS test houses

- Exova Warrington
- Mila Test Centre
- British Standards Institute (BSI)

It has the following accreditations

- TS007 BSI Kitemark (KM535608) 2 Star Rating

- PAS024 (Enhanced Security)
- PAS023 (Operational Reliability)
- BS EN 1906 Grade 4
- BS EN 1670 Grade 5
- Secured by Design (Official Police Preferred Specification)

TS 007:2012 Security Standard

This door handle conforms to TS 007:2012 standards - the new Kitemarked security standard for replacement lock cylinders and protective door furniture. TS 007 is a Technical Specification created in response to growing concerns over homes being vulnerable to attacks due to information available on the internet.

TS 007 covers all aspects of attack tests on cylinders and handles. It is aimed at the retrofit UPVC and timber door market; if you have a basic UPVC handle at the moment, then you need this one now!

It is designed to offer similar levels of security of that found in complete door assemblies rated to PAS24 and complete lock assemblies rated to PAS and BS3621, 8621 and 10621.

Gain the Complete 3 Star Security Rating.

There are two ways to meet these standards

- cylinders marked with 1 star + door furniture marked with 2 stars = 3 star security rating
- cylinders marked with 3 stars = 3 star security rating

In order to achieve this 3 star security rating you should use this handle (2 star rating) and one of our MPX6 cylinders (1 star rating). For more information on our BS rated Euro cylinder view the [MpX6 range](#).

Unit Of Sale

- Pair - (1 x left hand and 1 x right hand door handle).

Products in this set



40850.1 - Multi Point Door Handles - TS007 2 Star - 92mm Centres - 211mm Bolt Centres - White