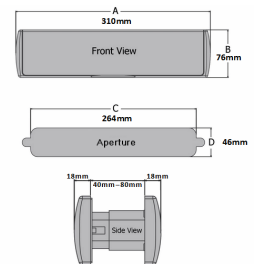


Sleeved Letter Plate Set - Draught Proof With Internal Brush - 310mm x 76mm - Satin Chrome

Product Images



Description

- Draught proof sleeved letter plate set.
- Satin chrome finish.
- 310mm x 76mm high letterbox with "lift up" spring loaded flaps and internal weather sealing.
- A combination of external foam seals and internal nylon brushes maximises weather sealing and draught proofing.
- This letterbox has been designed in house by a specialist product development team and combines smart design features, reliable operation with a hard wearing contemporary finish.
- Design registered, with patent pending, the sleek frame and flap design incorporate a concealed flap operating mechanism to maintain subtle exterior sightliness.
- This letterbox features internal and external thumb access for ease of use. When fully open the internal and external flap opens to 180° without over stressing and smart frame design prevents abrasive action against the flap during operation.
- Tested to meet industry standards at a UKAS accredited Test Centre, the letterbox has been cycle tested to 50,000 cycles and has superior corrosion resistance, exceeding the 240 hour industry requirement.
- This letterbox is a telescopic sleeve set to suit door thickness between 40mm - 80mm.

Operation

- Lift up flap.
- Built in foam seal and internal brush.

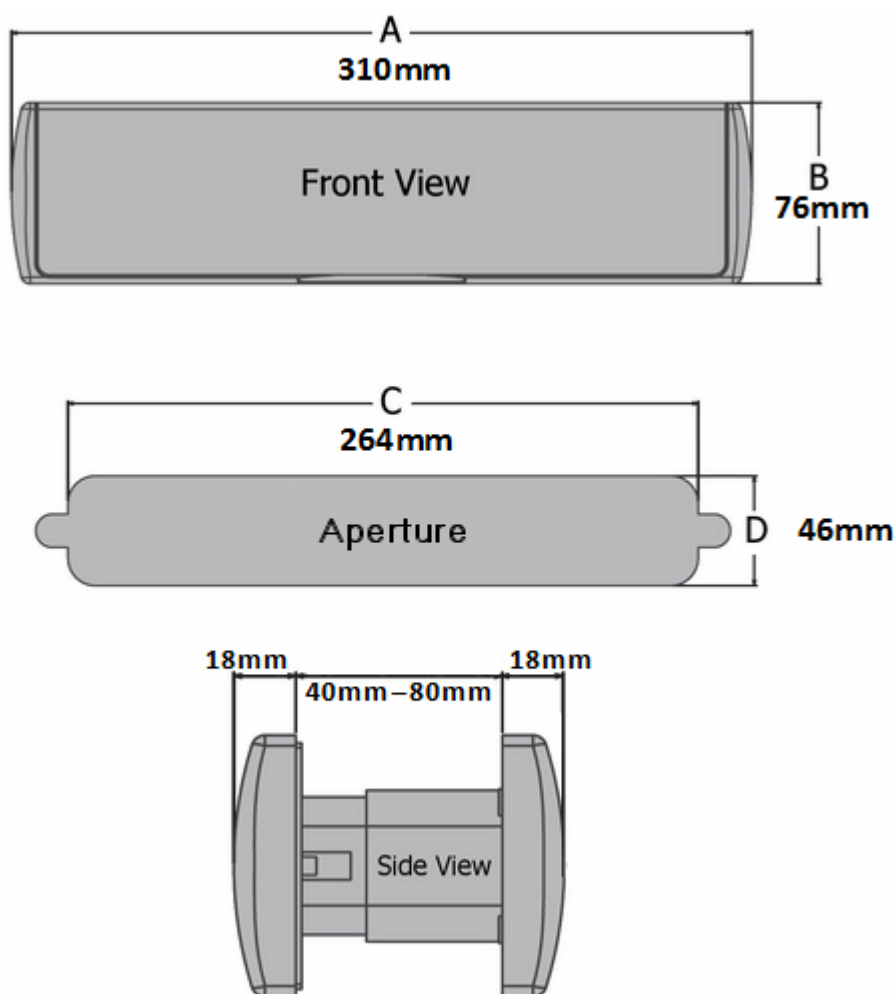
Finish

- Satin chrome.

Alternative Finishes Available

- Polished chrome.
- White.
- PVD gold.

Dimensions



Item Code Overall Width - (A)Overall Height - (B)Aperture Width - (C)Aperture Height - (D)To Suit Door Thickness

40852.1 310mm 76mm 264mm 46mm 40mm - 80mm

Unit Of Sale

- Set - (includes both the external and internal plate).

Products in this set



40852.1 - Mila ProStyle Sleeved Draught Sealed Letter Plate - 310mm x 76mm - Satin Chrome