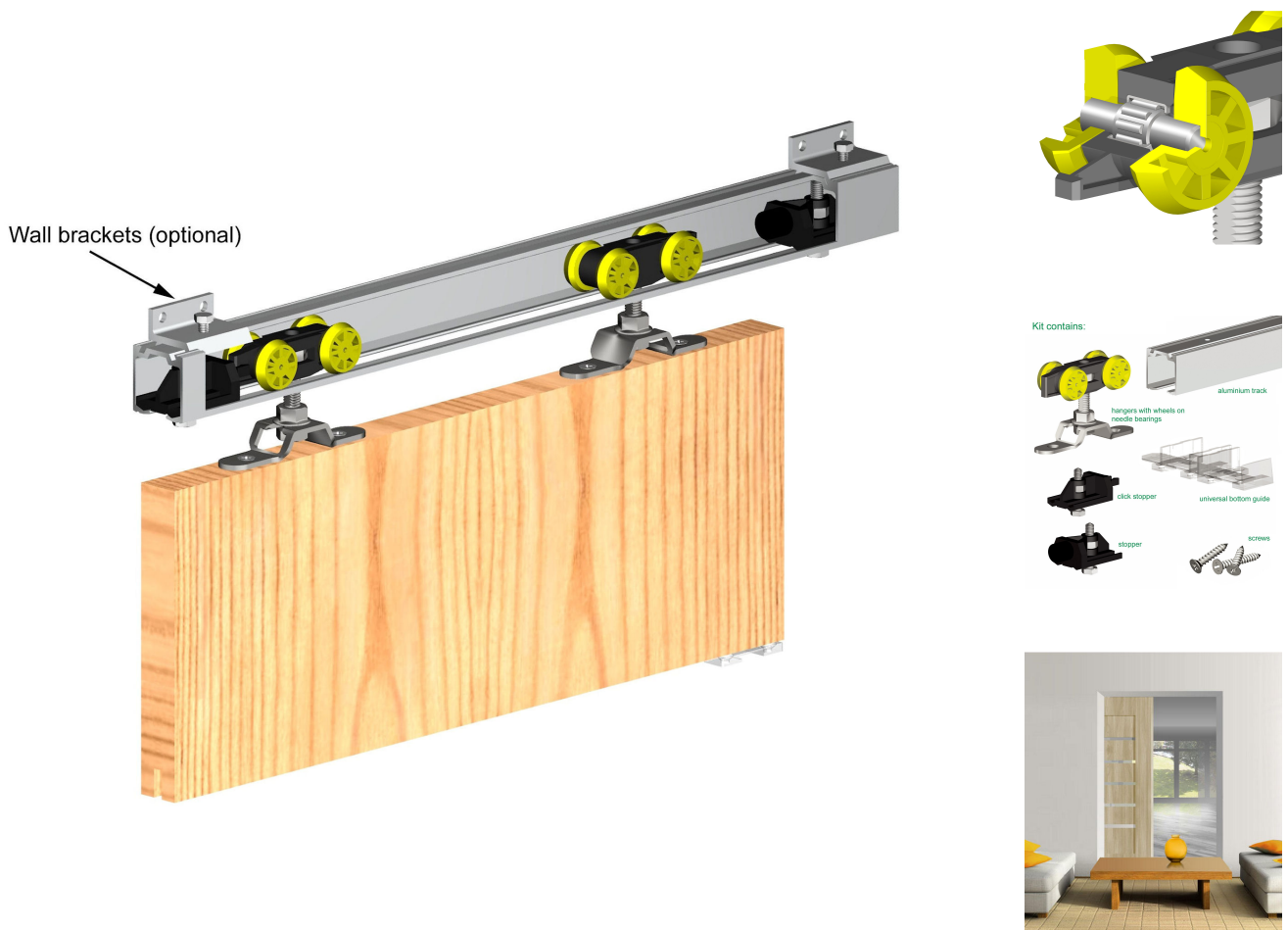


Sliding Door Gear System For Timber Doors Up to 60kg In Weight

Product Images



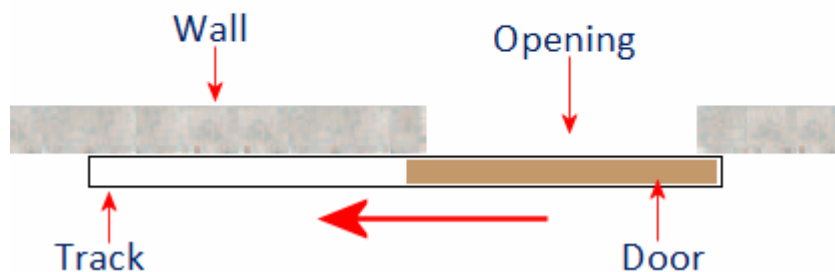
Description

- Sliding door system is designed for use on timbers doors up to 60kg in weight.
- Suitable for use for sliding doors between rooms, wall openings or for entrances.
- Each set includes all the main components needed to install a long lasting, smooth running soffit (ceiling) mounted sliding door.
- **For wall mounting the track, wall mounted angle brackets must be purchased separately - see product 40278.**
- Aluminium pre-drilled track for a durable, long lasting finish and easy installation.
- Hangers feature high quality rollers mounted on needle bearings for smooth and quiet running.

- Anti-jump system means wheels will always run smooth.
- Clear polycarbonate bottom guide - virtually invisible when installed.
- Suitbale for use on timber or MDF doors

Single Sliding Doors

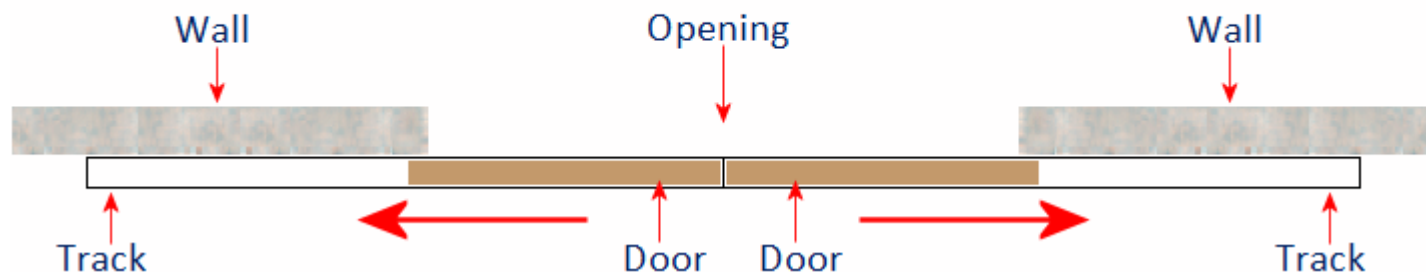
Single Sliding Door



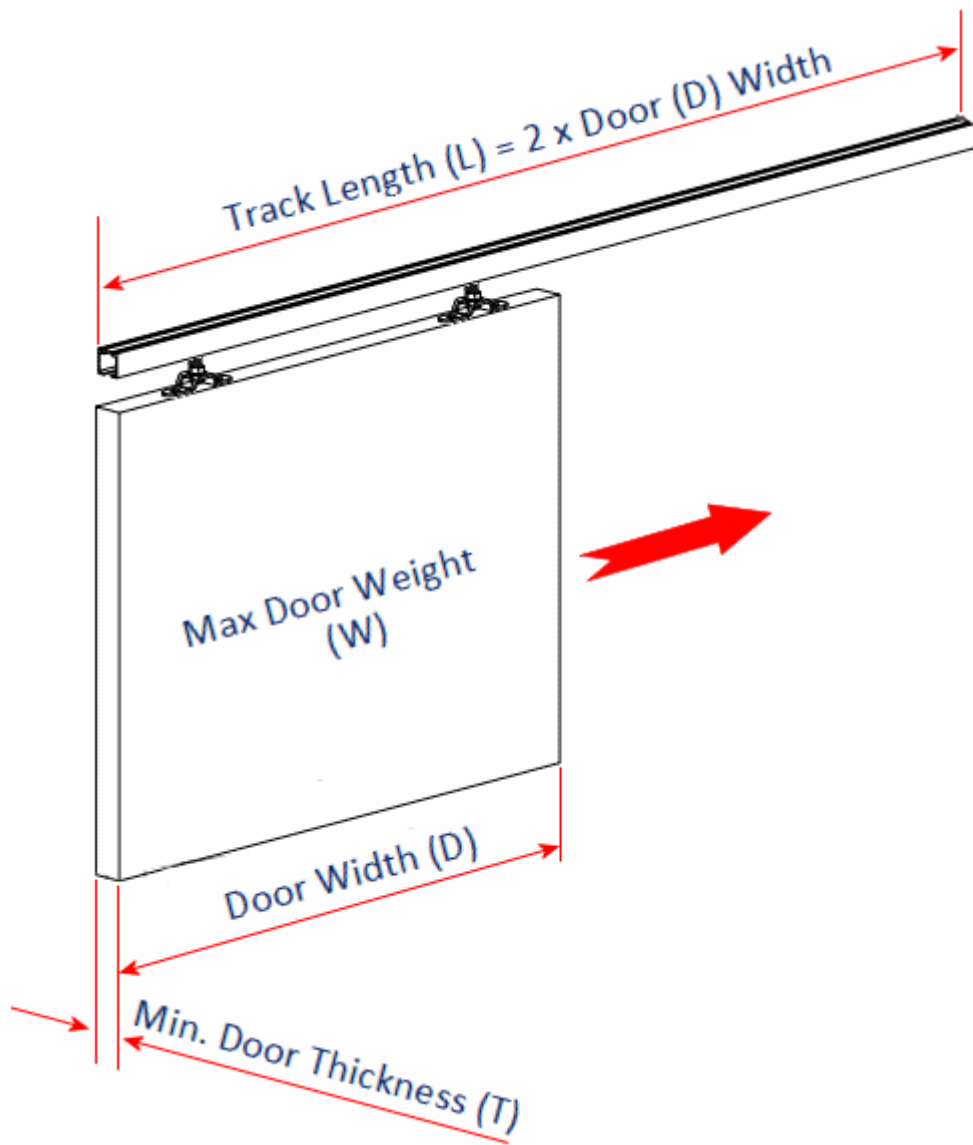
Double Bi-Parting Doors

- For doors up to 750mm wide a 3000mm track can be purchased with the extra door hanging kit - **Product 40867**
- For doors over 750mm wide two kits can be fitted "end on" (next to each other) using the track joining bracket - **Product 40864**

Sliding Double Doors

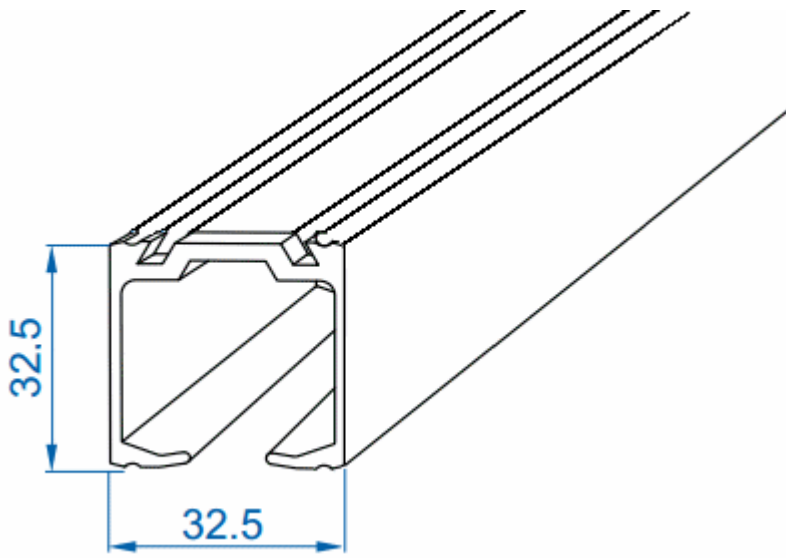


Dimensions And Track Lengths Available



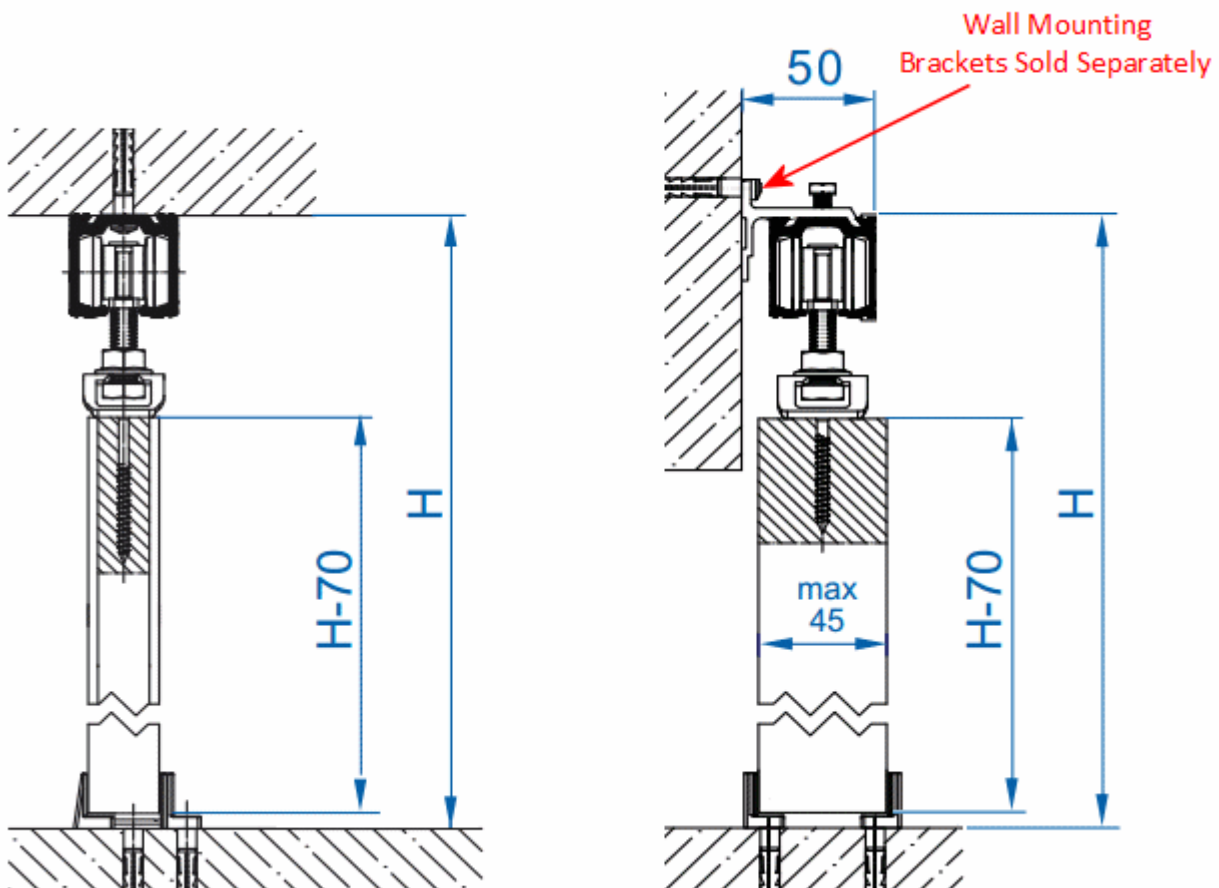
Item Code	Maximum Width Door (D)	Overall Track Length (L)	Maximum Door Weight (W)	Minimum Door Thickness (T)
31268.1	750mm	1500mm	60kg	16mm
31268.2	900mm	1800mm	60kg	16mm
31268.3	1000mm	2000mm	60kg	16mm
31268.4	1200mm	2400mm	60kg	16mm
31268.5	1500mm	3000mm	60kg	16mm

Track Dimensions



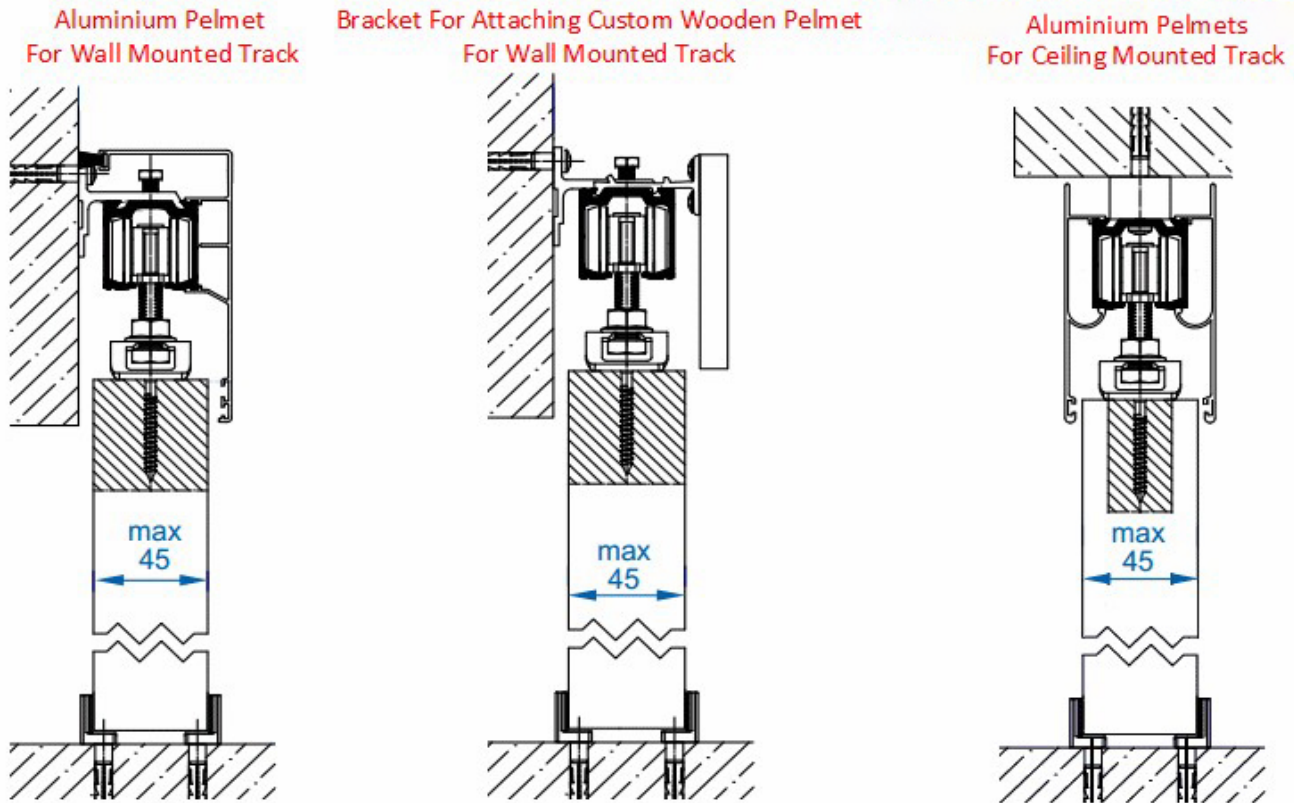
Fixing Options

- Designed for ceiling / soffit mounting as standard.
- For wall mounting - the **brackets must be purchased separately** - see product 40278.



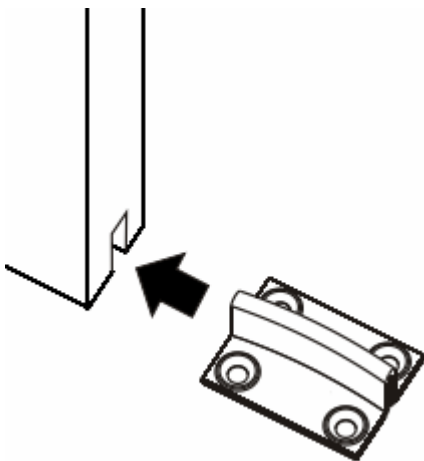
Clip On Pelmet Options

- Clip on wrap around aluminium pelmet for use with wall mounted tracks - **Product 40869**.
- Clip on bracket which allows for a custom made wooden pelmet to be fitted - **Product 40865**.
- 2 x clip aluminium pelmets used in conjunction with spacers for use when ceiling mounting the track - **Product 40702**.



Floor Guide

- The timber sliding door kit comes complete with a universal floor guide, fixed to the floor next to the door frame, this helps to guide the door insuring it runs straight.



Items Included Within The Sliding Door Kit

- 1x Pre-drilled aluminium track
- 2x Needle bearing roller carriages
- 2x Buffer Door Stoppers
- 1x Universal floor guide

Optional Extras

- Soft close devices - **Product 40276**
- Double door synchronisation kit - **Product 40277**

Product Video

Products in this set



31268.1 - 60kg - Sliding Door Gear System - For Doors 750mm Wide - 1500mm Track Length



31268.2 - 60kg - Sliding Door Gear System - For Doors 900mm Wide - 1800mm Track Length



31268.3 - 60kg - Sliding Door Gear System - For Doors 1000mm Wide - 2000mm Track Length



31268.4 - 60kg - Sliding Door Gear System - For Doors 1200mm Wide - 2400mm Track Length



31268.5 - 60kg - Sliding Door Gear System - For Doors 1500mm Wide - 3000mm Track Length