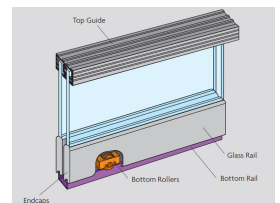
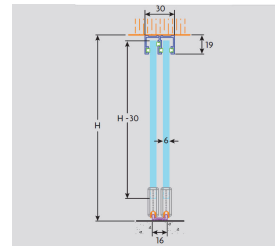
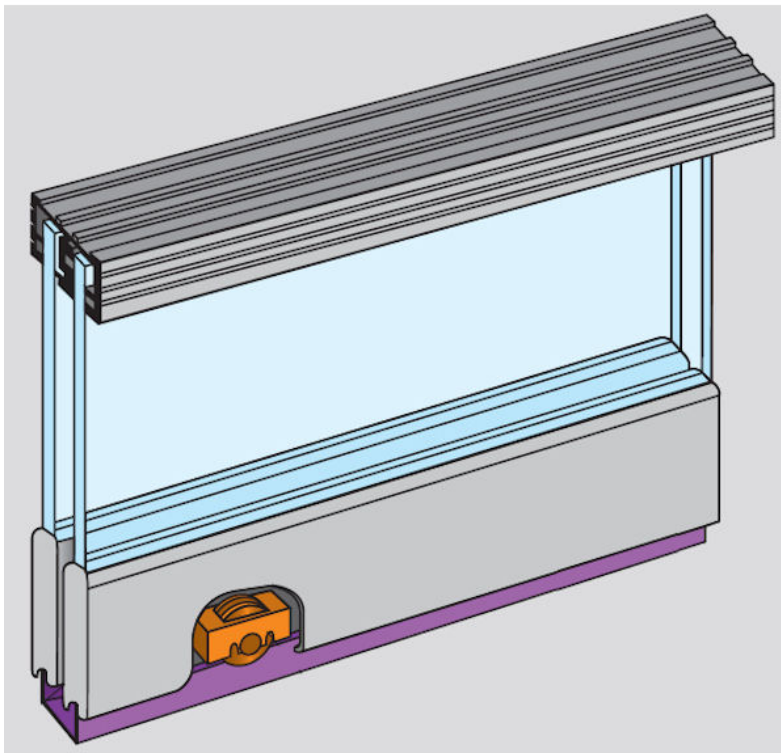


Zenith - Double Track Sliding Door Gear For 6mm Glass Doors - Max Door Width 900mm - Max Door Weight 25kg

Product Images



Description

- The Zenith is a sliding door kit suitable for use on cabinets with glass doors including showcase cabinets, bookcases, display panels, hatches or interior sliding windows.
- Precision-made, satin anodised aluminium (SAA) door gear and glass carriers.
- Brush-pile strips fitted inside the top guide rail ensure a silent and easy-gliding action.
- Supports a maximum glass door weight of 25kg and a maximum glass thickness of 6mm.
- Three kits are available giving a maximum opening width of 1800mm.
- Design for a simple top fixing into a piece of furniture or opening.
- Bottom rolling kit with top aluminium guide track.

- Supplied with bottom rollers and SAA Aluminium finish glass carrier rail.

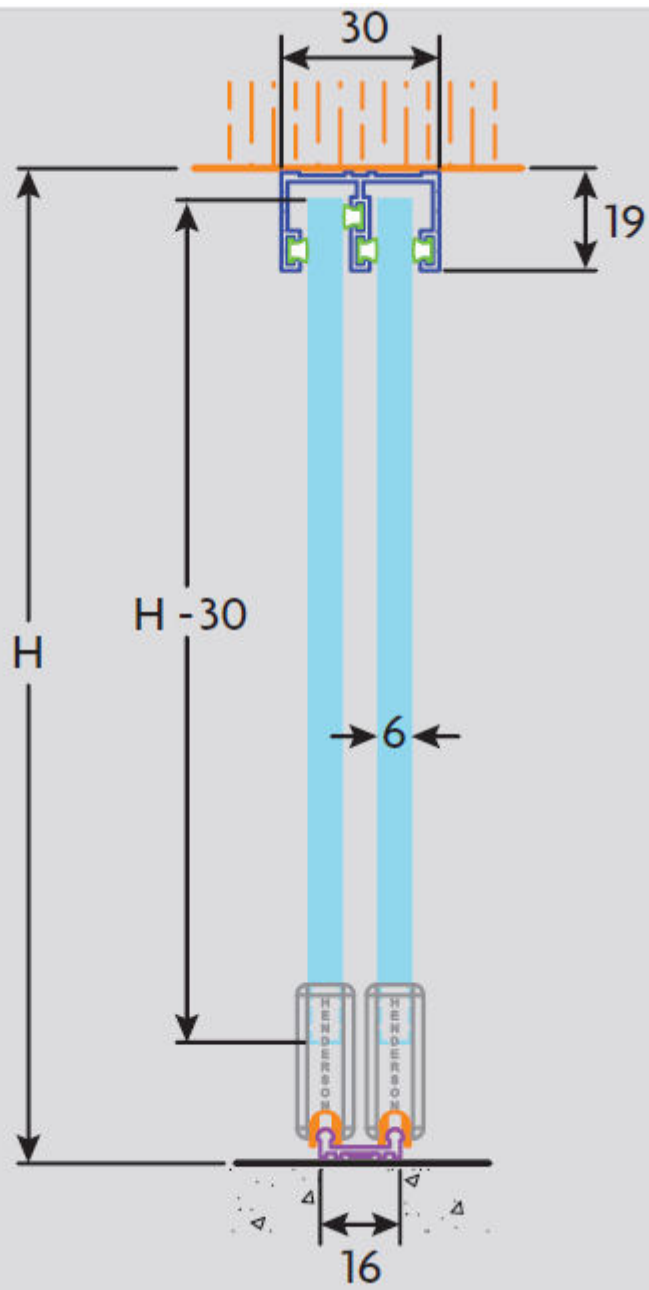
Kit Suits 2 Door Systems

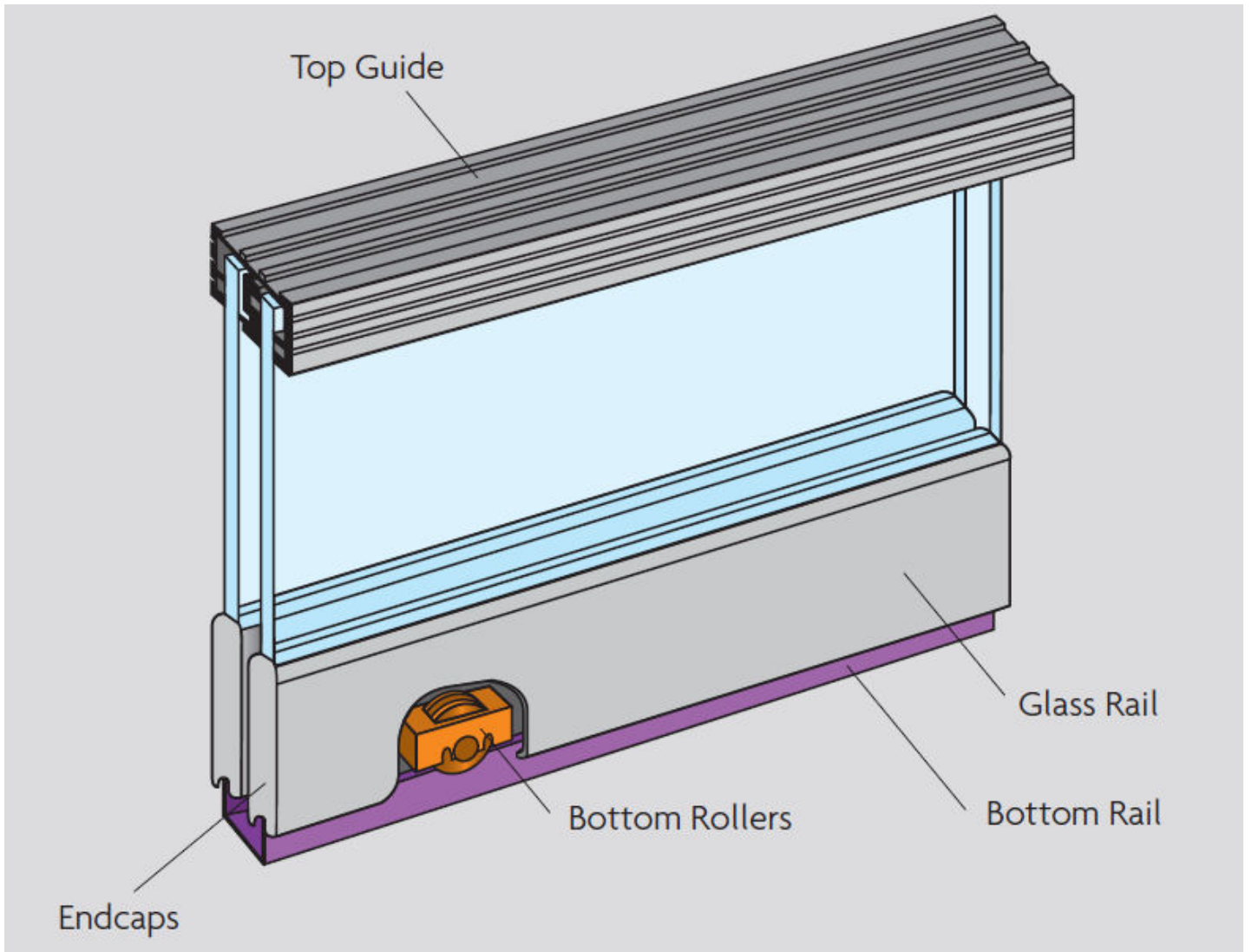
2 Door System



Track Lengths Available

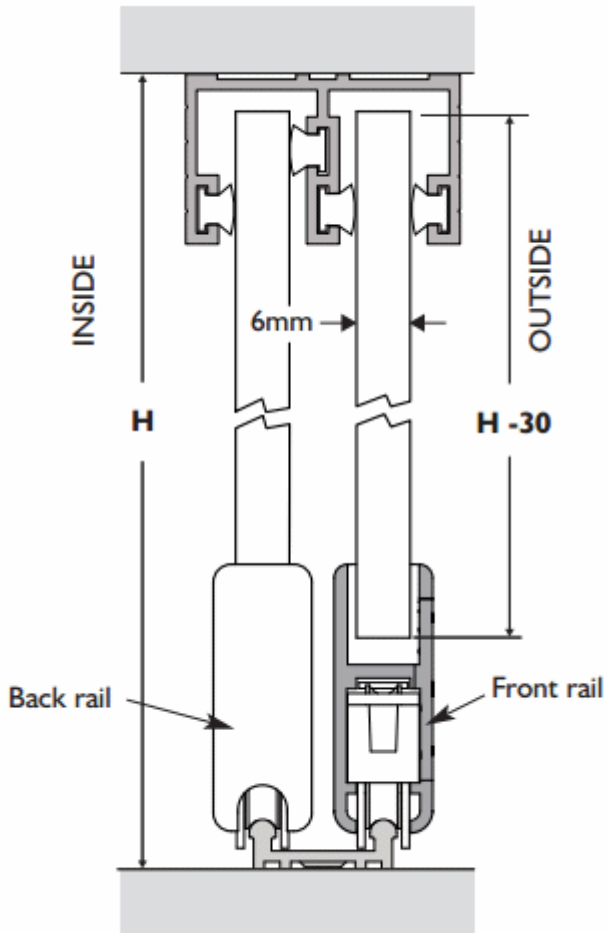
Item Code	Max Door Width	Overall Track Length (L)	To Suit No. Of Doors	Maximum Door Weight (W)	Glass Door Thickness Required
31276.1	600mm	1200mm	2	25kg	6mm
31276.2	750mm	1500mm	2	25kg	6mm
31276.3	900mm	1800mm	2	25kg	6mm





Fixing Options

- Pre-drilled aluminium track allows for fixing into the top of a piece of furniture, cabinet or an opening.



Items Included Within The Henderson Slipper Sliding Door Kit

- 1x Top Guide Track
- 2x SAA Finish Glass Rail Carriers
- 4x Bottom Rollers
- 4x End Caps
- 1x Bottom Rail
- 1x Roll Of Brush Strip

Products in this set



31276.1 - Zenith Double Track Sliding Door Gear For 6mm Glass Doors - For Doors Up To 600mm Wide - Track Length 1200mm



31276.2 - Zenith Double Track Sliding Door Gear For 6mm Glass Doors - For Doors Up To 750mm Wide - Track Length 1500mm



31276.3 - Zenith Double Track Sliding Door Gear For 6mm Glass Doors - For Doors Up To 900mm Wide - Track Length 1800mm